

NORLEG

Legetårnet Gimle

LE20848

Dato 06-12-2018

REV. -A

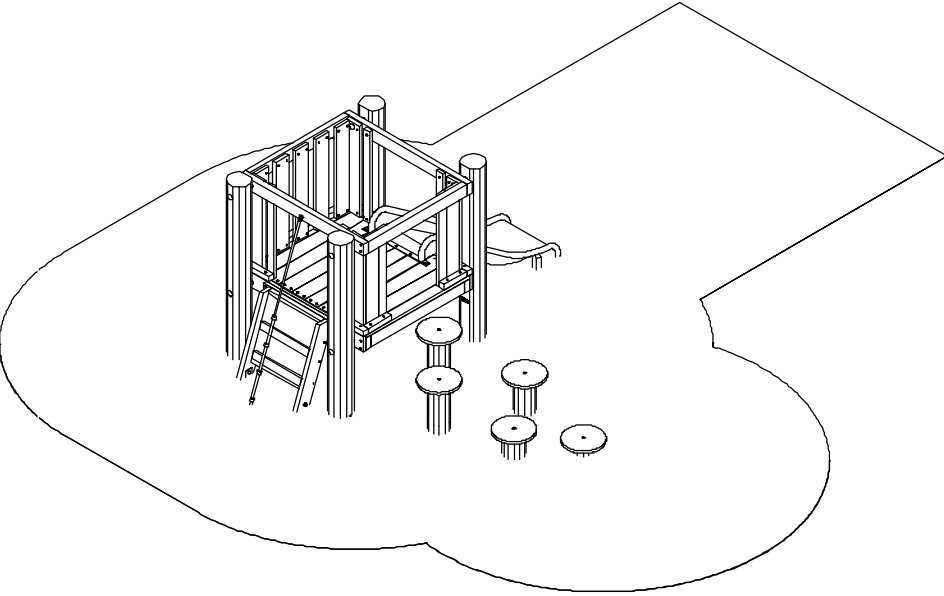
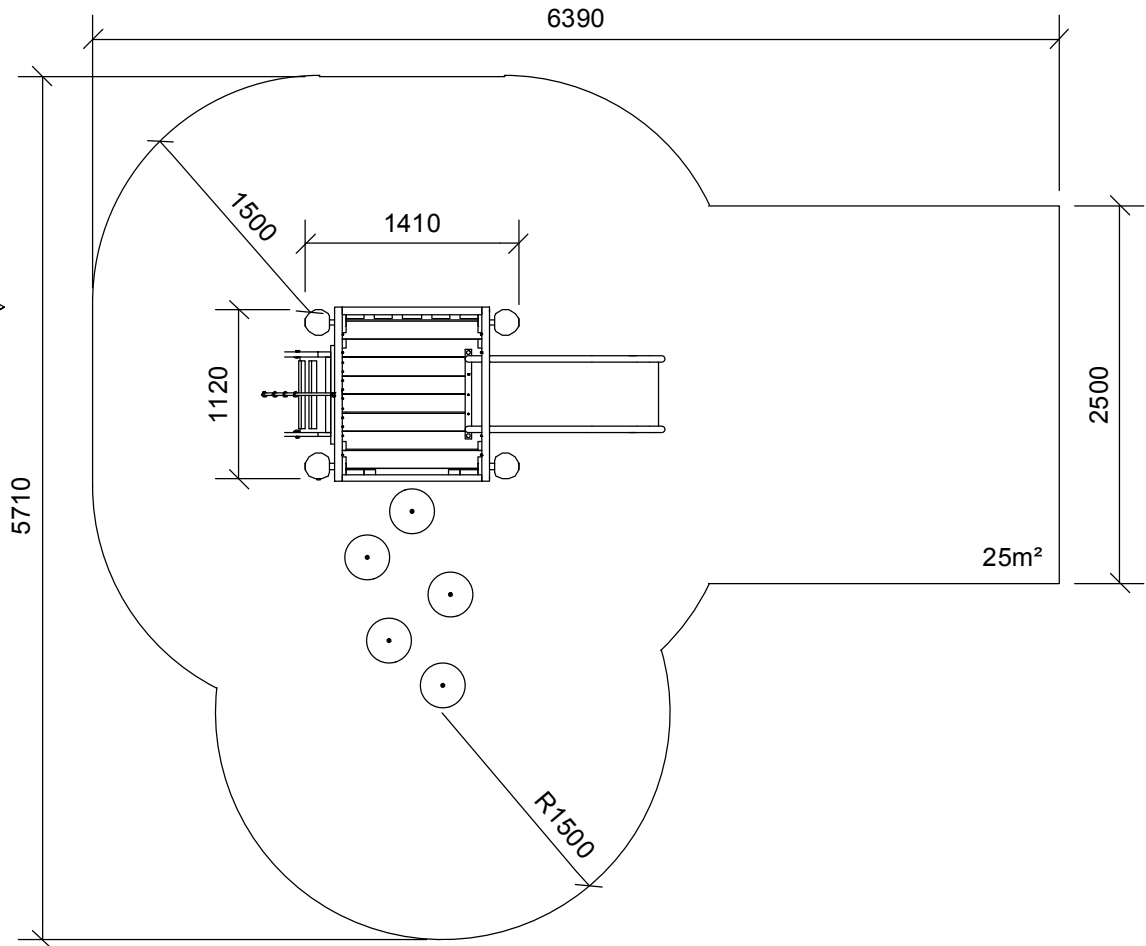
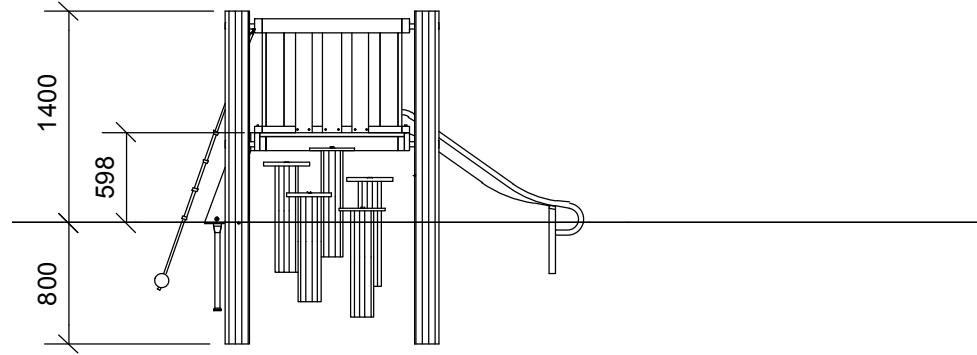
<600



≥ EN1176

(1 : 50)

Main Drawing



This drawing is the property of NORLEG and pursuant to current legislation may not be copied, transferred to or used by any third party. Should this drawing be used, a fee of 10% of the assumed contract price will be charged

NORLEG

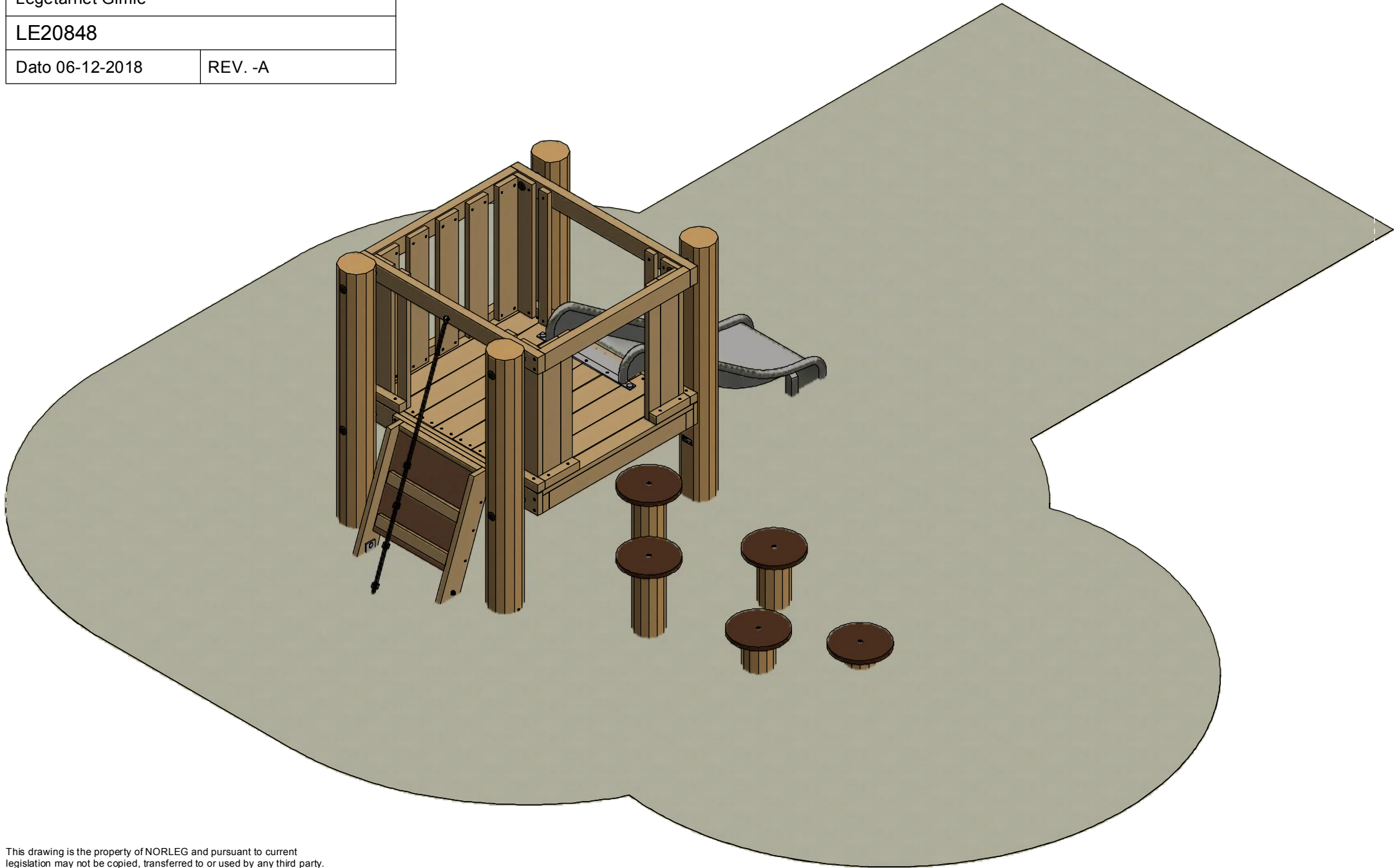
Legetårnet Gimle

LE20848

Dato 06-12-2018

REV. -A

3D



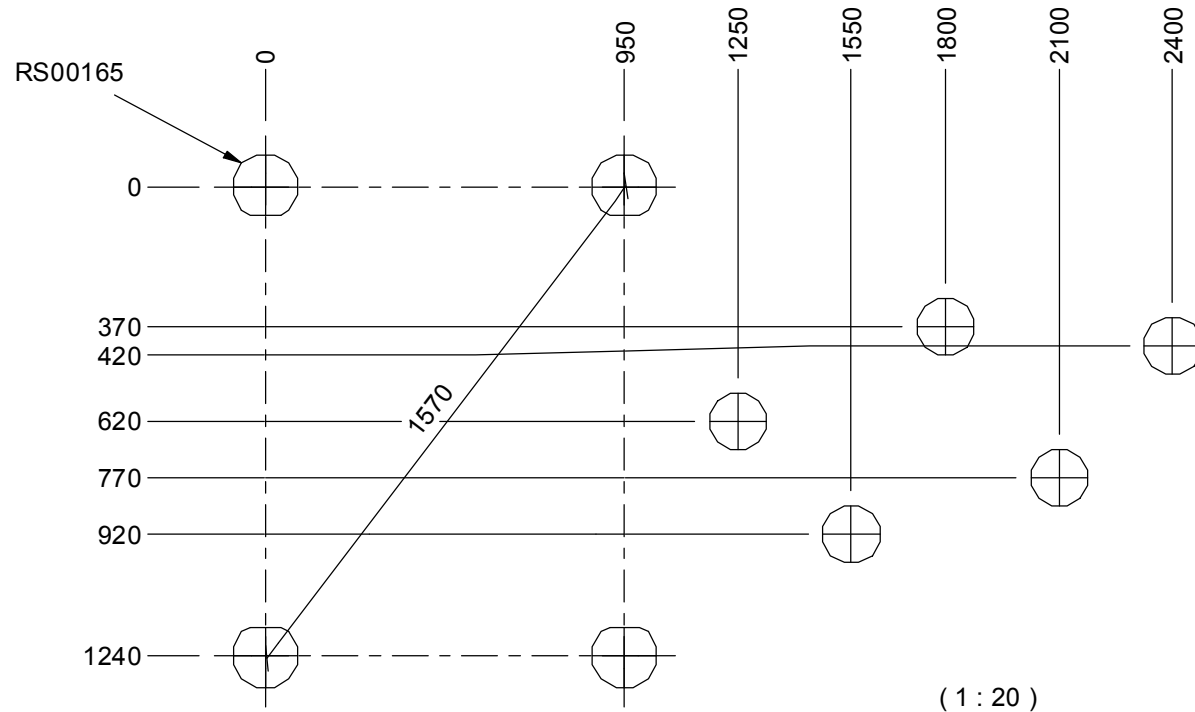
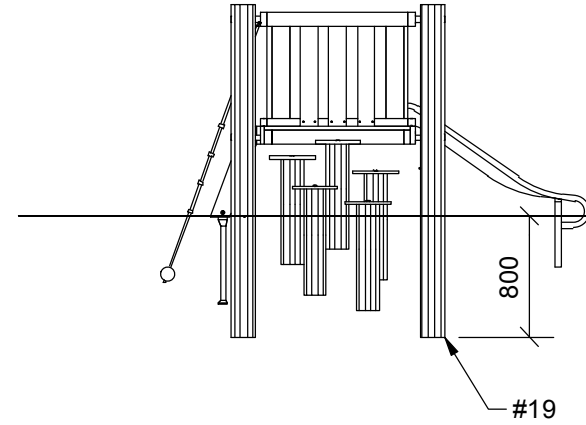
This drawing is the property of NORLEG and pursuant to current legislation may not be copied, transferred to or used by any third party. Should this drawing be used, a fee of 10% of the assumed contract price will be charged

| | |
|------------------|---------|
| NORLEG | |
| Legetårnet Gimle | |
| LE20848 | |
| Dato 06-12-2018 | REV. -A |

= Inst.p. No.

19

Excavation



(1 : 20)

This drawing is the property of NORLEG and pursuant to current legislation may not be copied, transferred to or used by any third party. Should this drawing be used, a fee of 10% of the assumed contract price will be charged

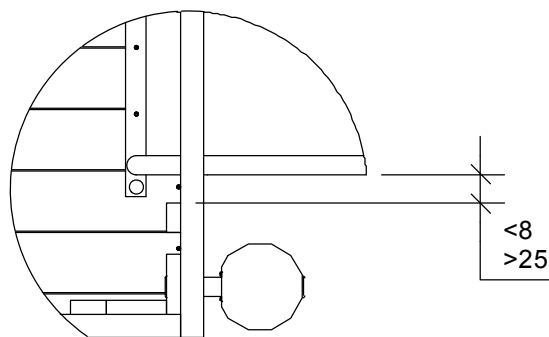
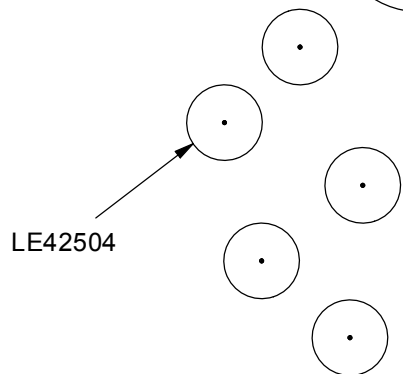
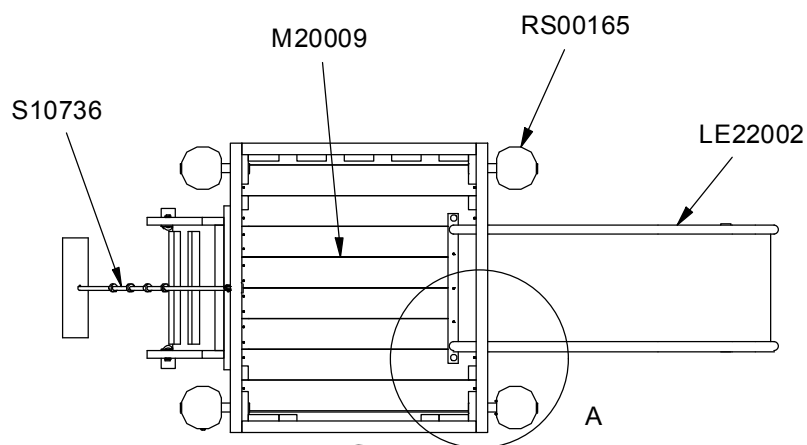
NORLEG

Legetårnet Gimle

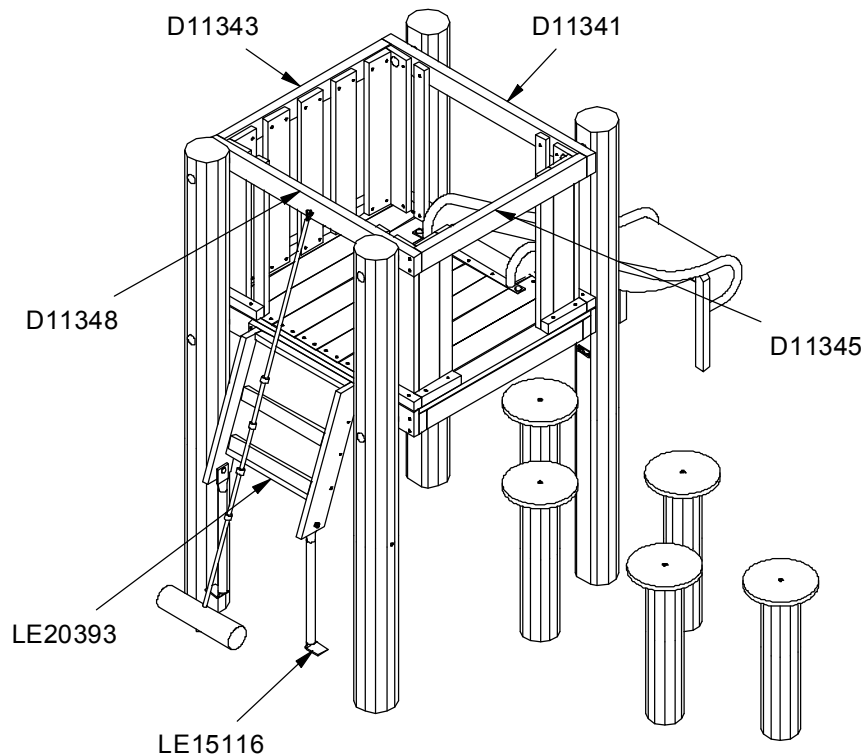
LE20848

Dato 06-12-2018

REV. -A



A (1 : 15)



| Parts List | | |
|------------|----------|------------------------------|
| QTY | PART NO. | DESCRIPTION |
| 2 | LE15116 | 60 cm |
| 1 | LE20393 | |
| 1 | LE22002 | Slide, B:500, L:1100, D:1300 |
| 5 | LE42504 | ø30 cm |
| 1 | D11341 | 1150x750mm, 62cm |
| 1 | D11343 | 930x750mm |
| 1 | D11345 | 930x750mm, 49cm |
| 1 | D11348 | 1150x750mm, 62cm |
| 1 | M20009 | 1150x1020 |
| 4 | RS00165 | Robinia, 160-180-2200 |
| 1 | S10736 | Rope |

This drawing is the property of NORLEG and pursuant to current legislation may not be copied, transferred to or used by any third party. Should this drawing be used, a fee of 10% of the assumed contract price will be charged

NORLEG

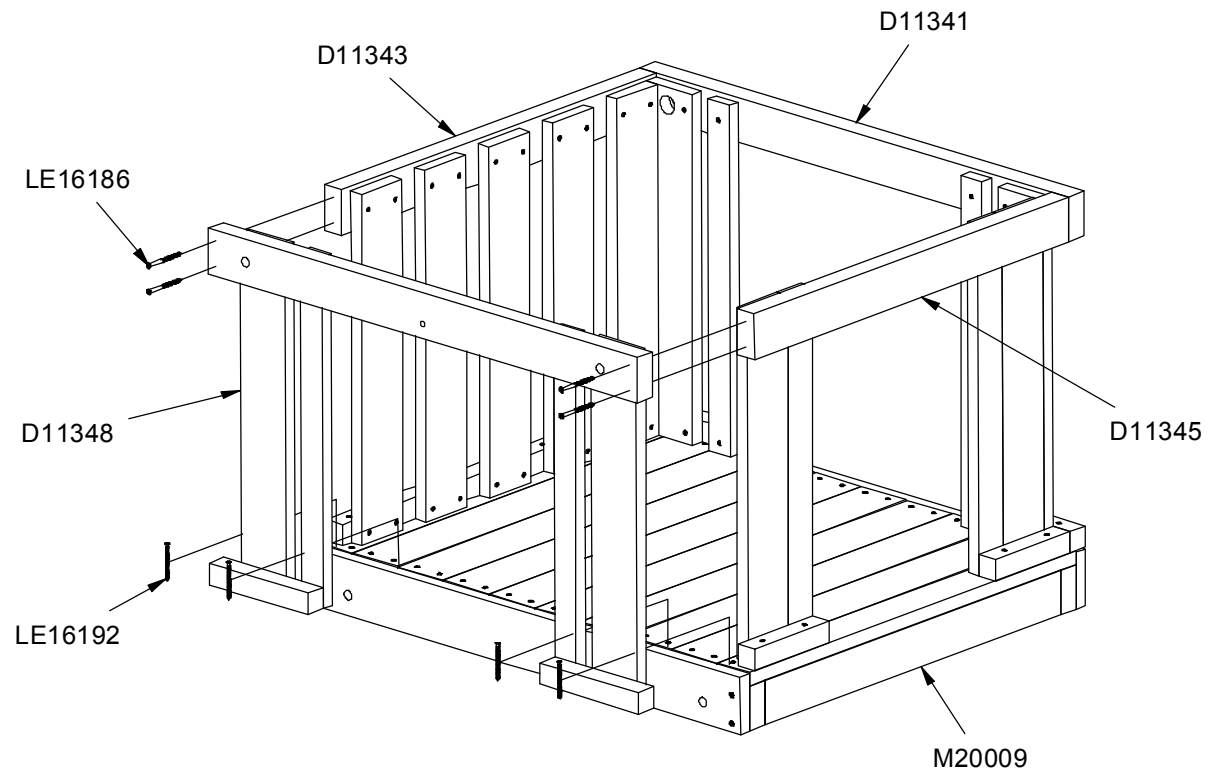
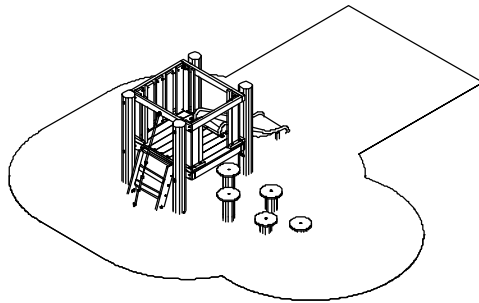
Legetårnet Gimle

LE20848

Dato 06-12-2018

REV. -A

Installation



Parts List

| QTY | PART NO. | DESCRIPTION |
|-----|----------|-------------|
| 1 | D11341 | 1150x750mm |
| 1 | D11343 | 930x750mm |
| 1 | D11345 | 930x750mm |
| 1 | D11348 | 1150x750mm |
| 8 | LE16186 | 6x100mm |
| 16 | LE16192 | 5x80mm |
| 1 | M20009 | 1150x1020 |

This drawing is the property of NORLEG and pursuant to current legislation may not be copied, transferred to or used by any third party. Should this drawing be used, a fee of 10% of the assumed contract price will be charged

NORLEG

Legetårnet Gimle

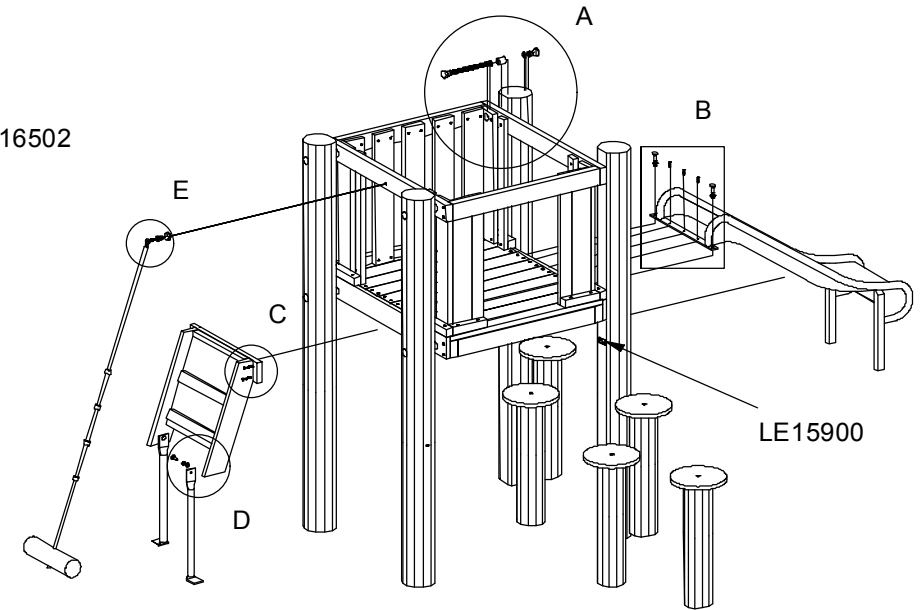
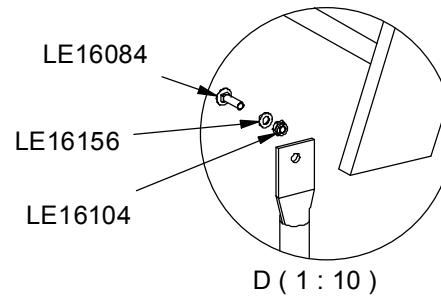
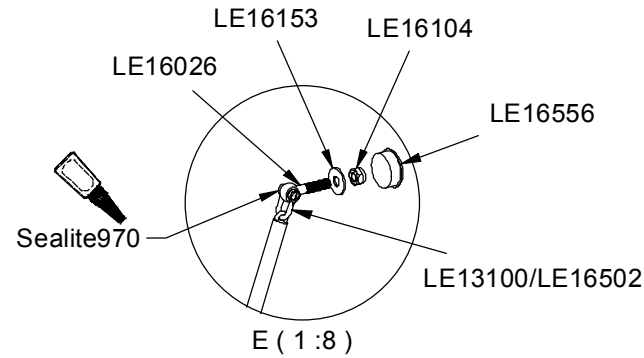
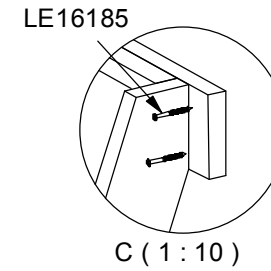
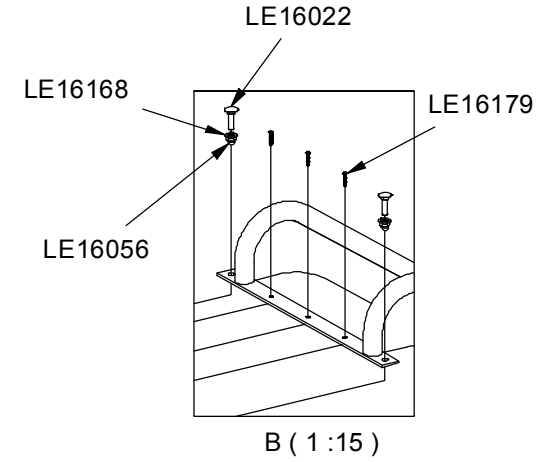
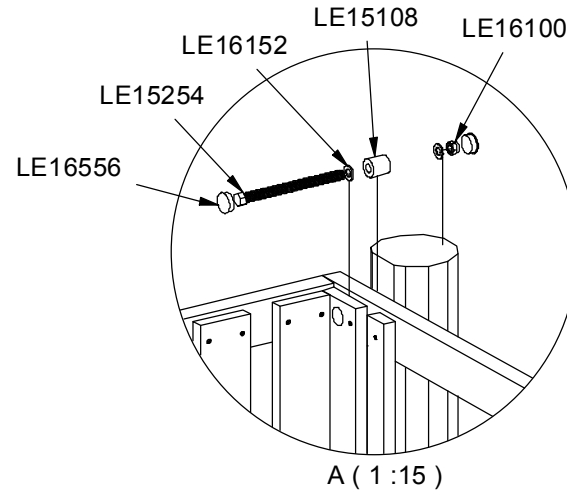
LE20848

Dato 06-12-2018

REV. -A

Installation

| Parts List | | |
|------------|----------|------------------------------|
| QTY | PART NO. | DESCRIPTION |
| 1 | LE13100 | 6mm/19mm |
| 8 | LE15108 | Ø38x40 mm |
| 8 | LE15254 | M16x250mm |
| 1 | LE15900 | Nametag 28x60 |
| 2 | LE15901 | 3x16 |
| 2 | LE16022 | 12x40 mm |
| 1 | LE16026 | 10x40/60mm |
| 2 | LE16056 | M12 |
| 2 | LE16084 | 10x40mm |
| 8 | LE16100 | M16 |
| 3 | LE16104 | M10 |
| 16 | LE16152 | Ø16mm |
| 1 | LE16153 | M10 - Ø29 |
| 2 | LE16156 | M10 - Ø20 |
| 2 | LE16168 | M12 -Ø24mm |
| 3 | LE16179 | 5x30mm |
| 4 | LE16185 | 5x60mm |
| 1 | LE16320 | Ø6x50mm |
| 1 | LE16502 | Spacer 6mm |
| 17 | LE16556 | Ø42mm |
| 1 | LE22002 | Slide, B:500, L:1100, D:1300 |
| 1 | LE16599 | Sealite 970 |



This drawing is the property of NORLEG and pursuant to current legislation may not be copied, transferred to or used by any third party. Should this drawing be used, a fee of 10% of the assumed contract price will be charged