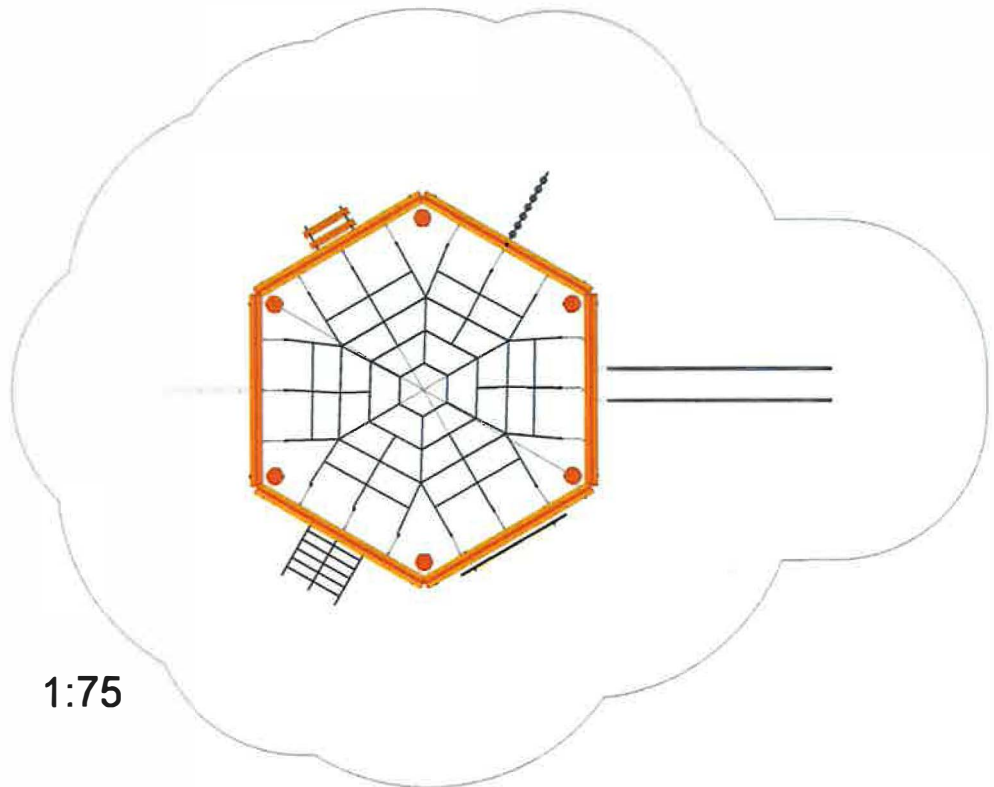
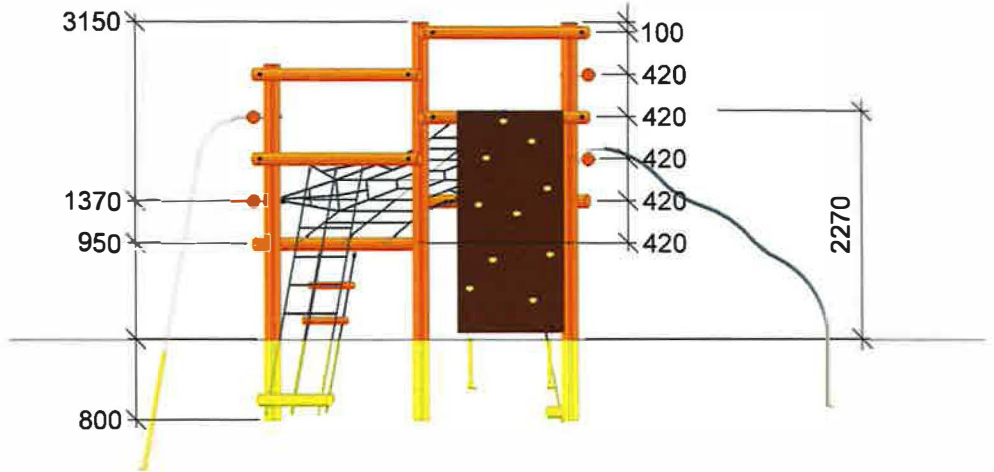


NORLEG	
Robinia klatresystem 6	
LE 20400 Nye stolper	
30.04.2004	REV. 04.04.2017

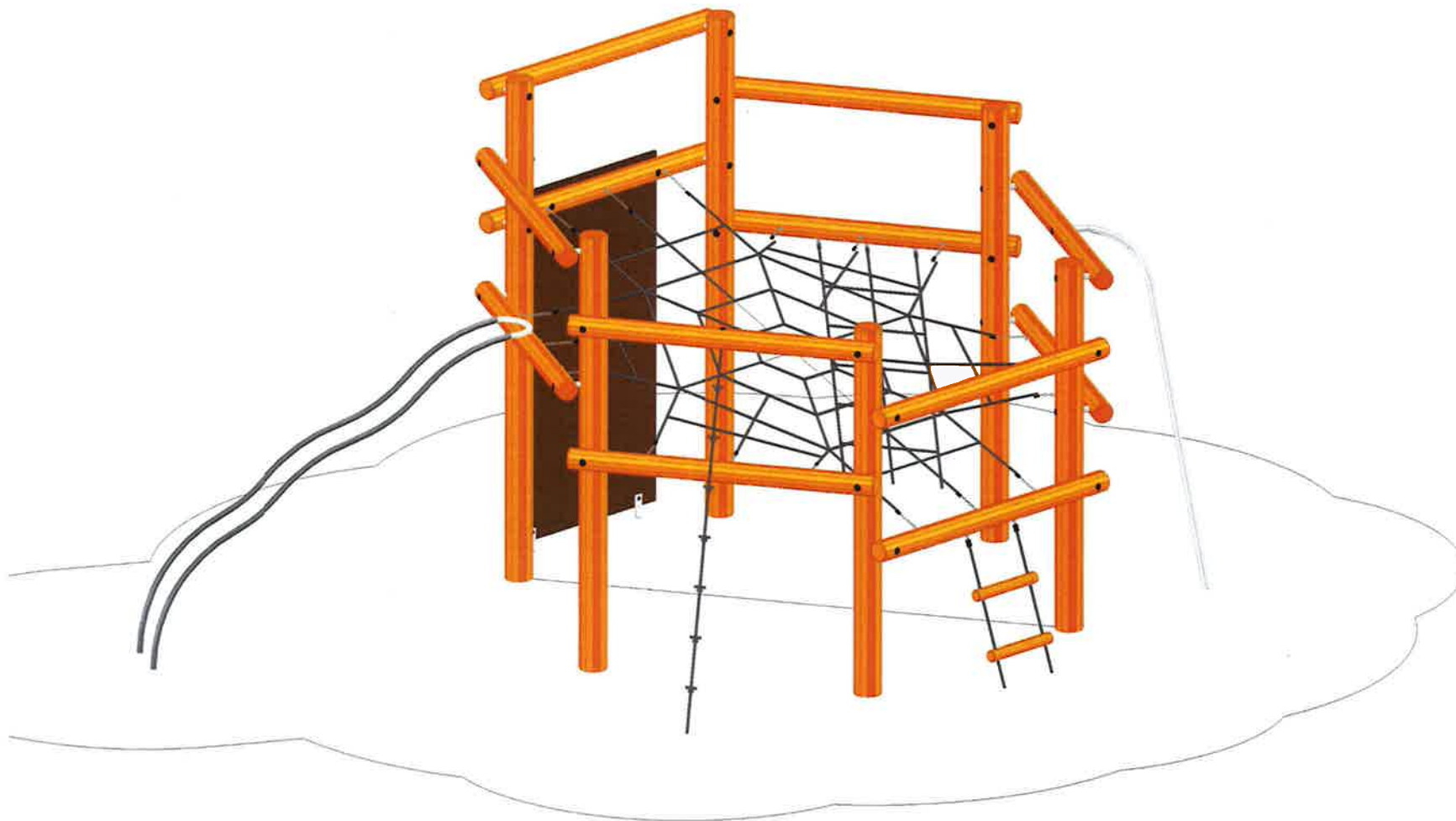
< 2300



≥ EN 1176



NORLEG	
Robinia klatresystem 6	
LE 20400 - Nye stolper	
30.04.2004	REV. 04-04-2017



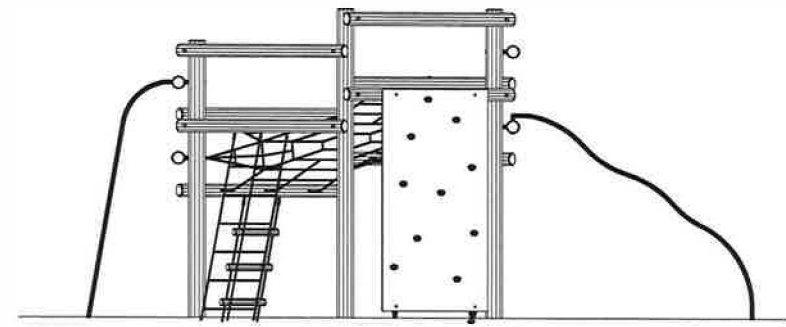
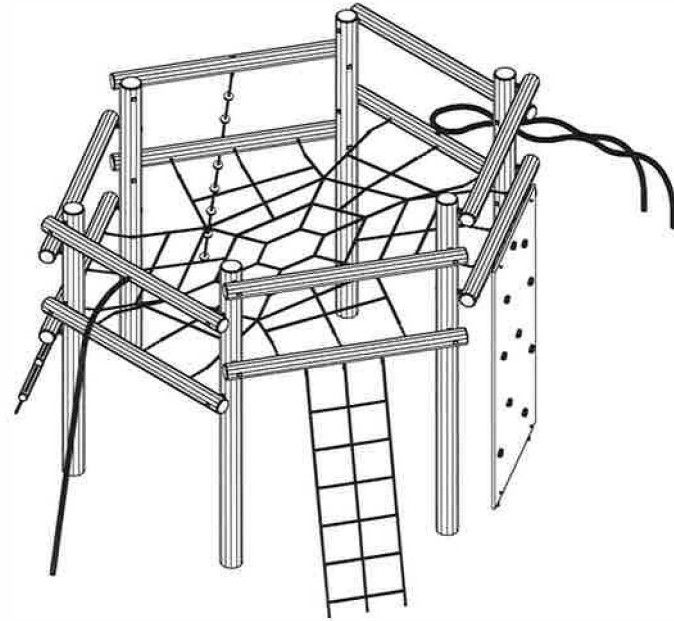
This drawing is the property of NORLEG and pursuant to current legislation may not be copied, transferred to or used by any third party. Should this drawing be used, a fee of 10% of the assumed contract price will be charged.

NORLEG	
Robinia klatresystem 6	
LE 20400	
30.04.2004	REV. 04.04.2017

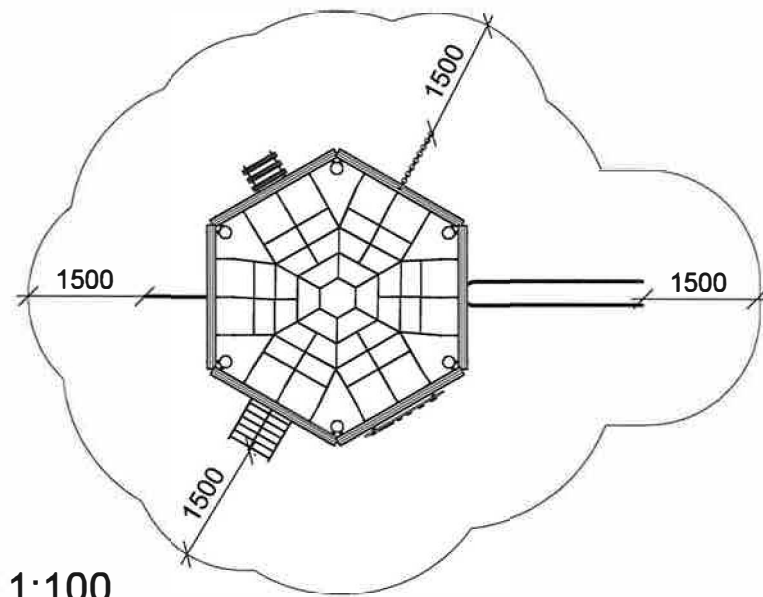
< 2300



≥ EN 1176



1:75



1:100

This drawing is the property of NORLEG and pursuant to current legislation may not be copied, transferred to or used by any third party. Should this drawing be used, a fee of 10% of the assumed contract price will be charged.

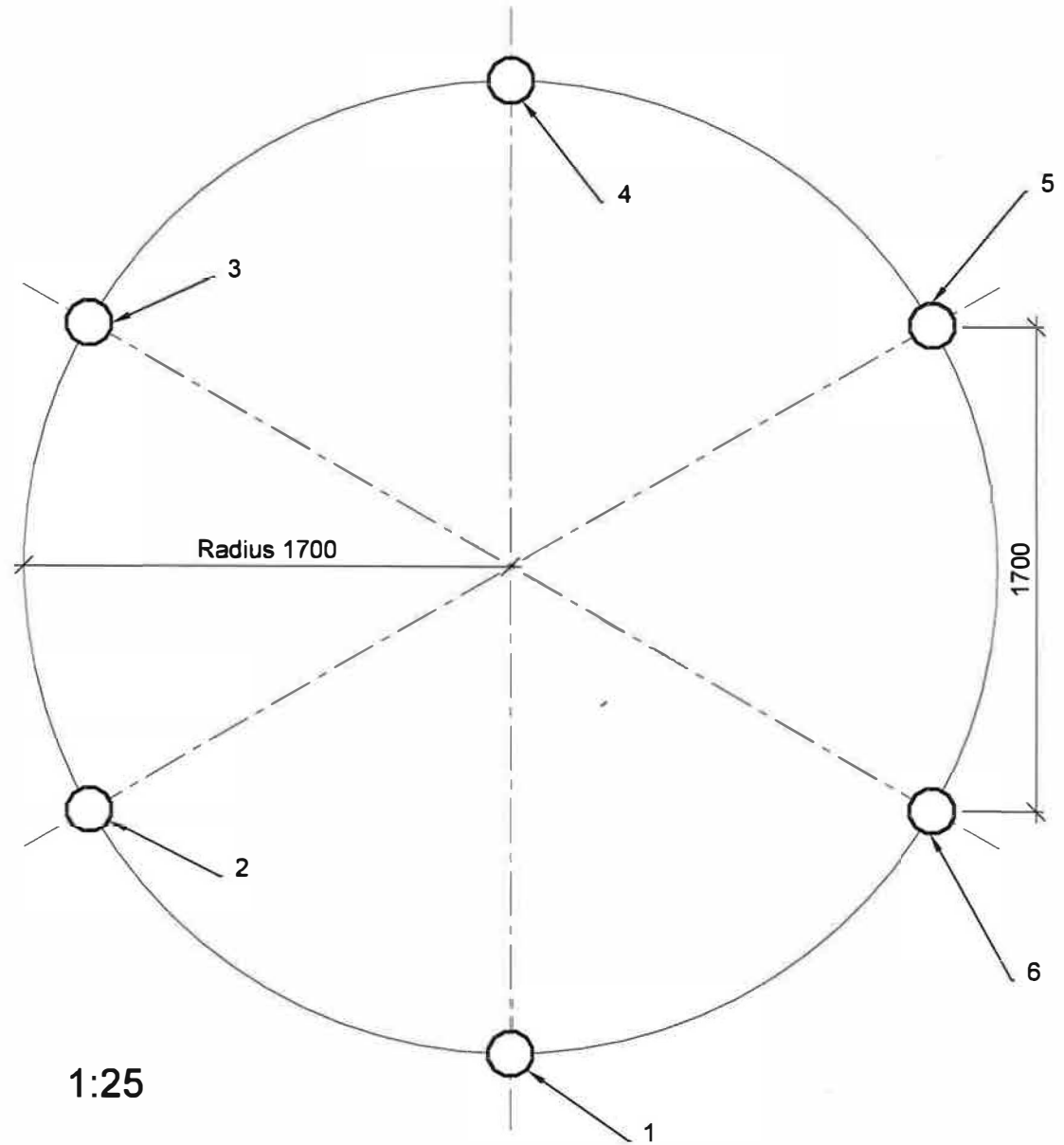
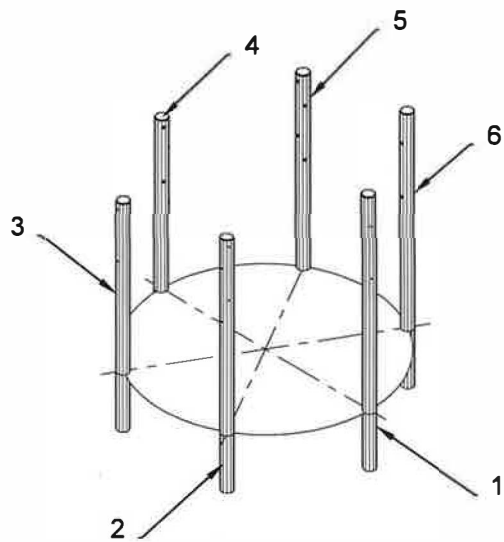
NORLEG - Mont.

Robinia klatresystem 6

LE 20400

30.04.2004

REV. 04.04.2017



Denne tegning er NORLEG's ejendom, og må ifølge gældende lov ikke kopieres, overlades eller udnyttes af 3. mand. Sker dette, skal det påregnes, at der vil blive opkrævet et honorar på 10% af formodet entreprisesum.

NORLEG - Mont.	
Robinia klatresystem 6	
LE 20400	
30.04.2004	REV. 04.04.2017

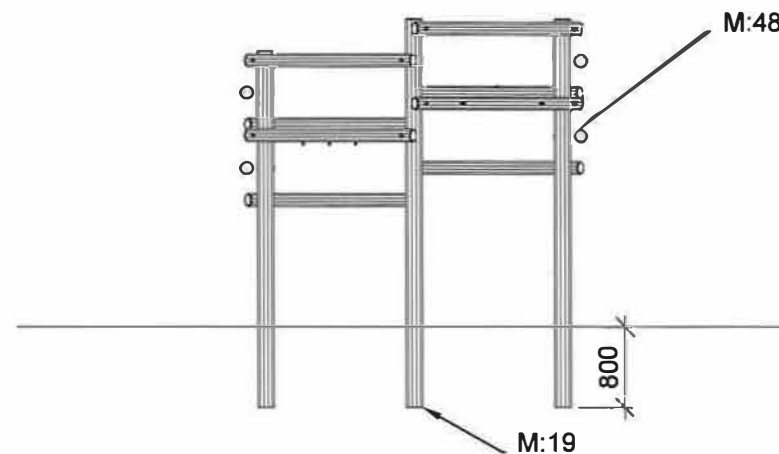
< 2300



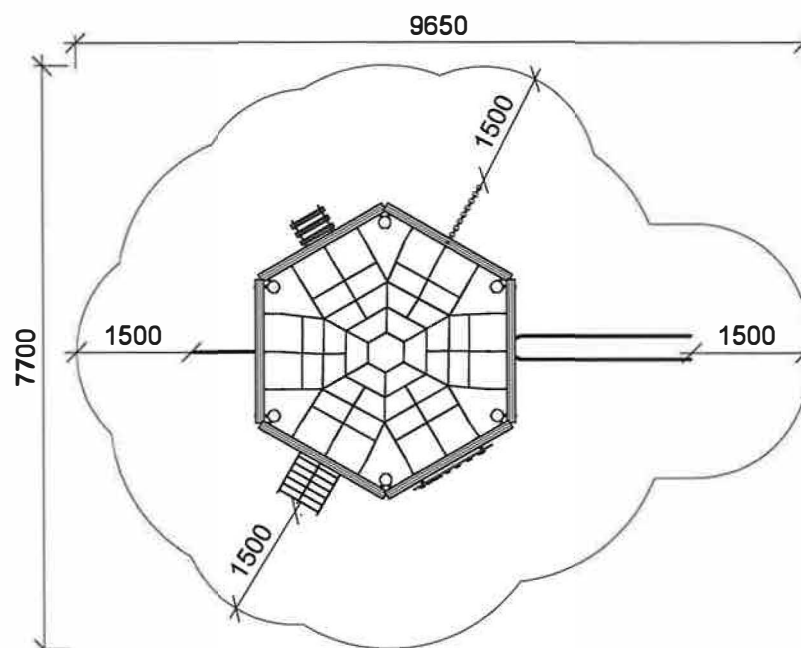
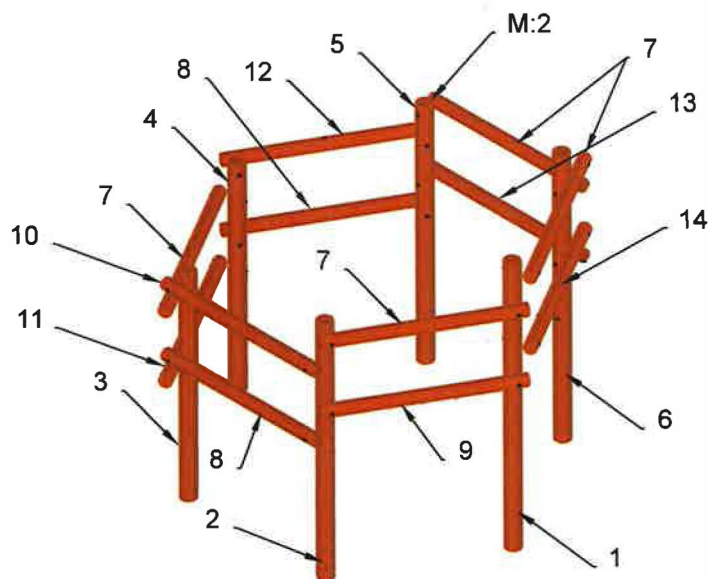
≥ EN 1176

Mont.p. nr.

- 2
- 19
- 48



1:75



1:100

This drawing is the property of NORLEG and pursuant to current legislation may not be copied, transferred to or used by any third party. Should this drawing be used, a fee of 10% of the assumed contract price will be charged.

NORLEG - Mont.	
Robinia klatresystem 6	
LE 20400	
30.04.2004	REV. 04.04.2017

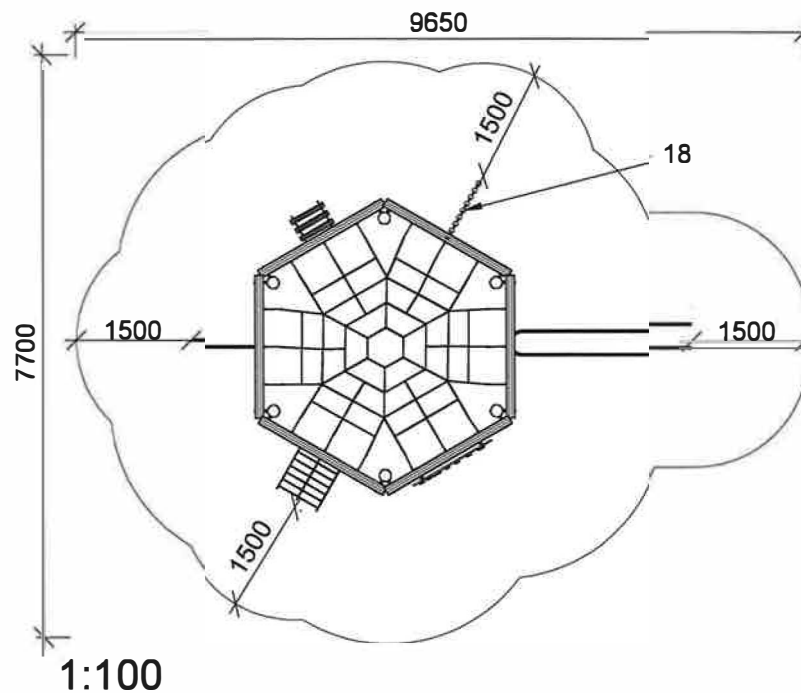
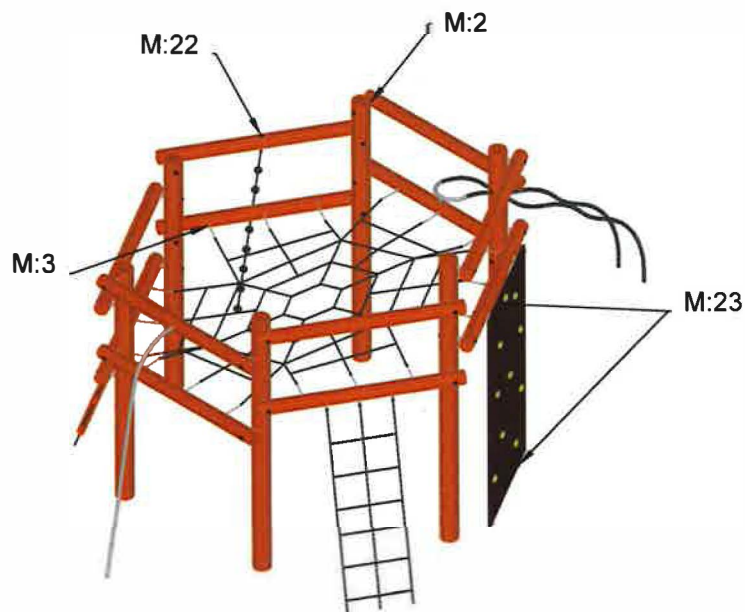
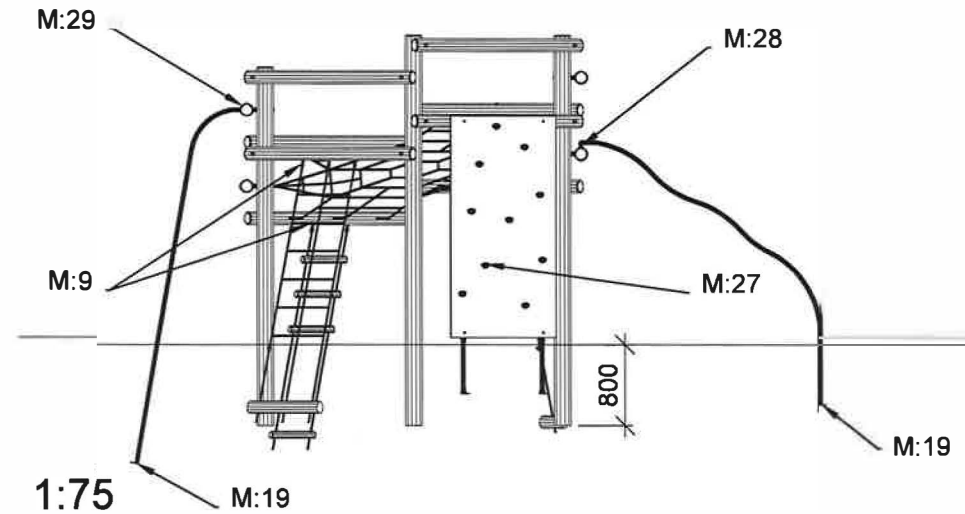
< 2300



≥ EN 1176

Mont.p. nr.

- 3
- 9
- 19
- 22
- 23
- 27
- 28
- 29



This drawing is the property of NORLEG and pursuant to current legislation may not be copied, transferred to or used by any third party. Should this drawing be used, a fee of 10% of the assumed contract price will be charged.