

# Pionier

PNRE010.005

Apollonius 005



# PNRE010.005

Apollonius 005



1+



4 - 12



2,5 x 2,4 x 2,7 m



5,5 x 5,4 m



5,5 x 5,4 m



2,1 m

## Opvangzone

*Impact area*

 **WAS, Dutch law**

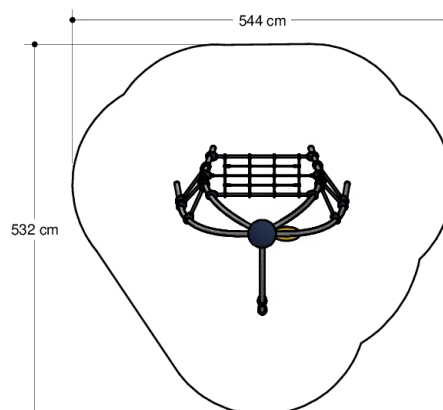
 **EN1176**

## Obstakelvrije zone

*Obstacle free zone*

 **WAS, Dutch law**

 **EN1176**



## Play values

Climbing, Sitting

## Material

The basic material consists of stainless steel, Trespa (thickness 16 mm) and only high/performance plastics. All materials are each attached with stainless steel fasteners. Nets and ropes of 16 mm. Hercules vandal/resistant rope.

## Anchoring

Stainless steel anchor mounted on stand by stainless steel fasteners. Concrete is not required

## Remarks

If the soil does not contribute to the stability it may be necessary to add concrete.

