
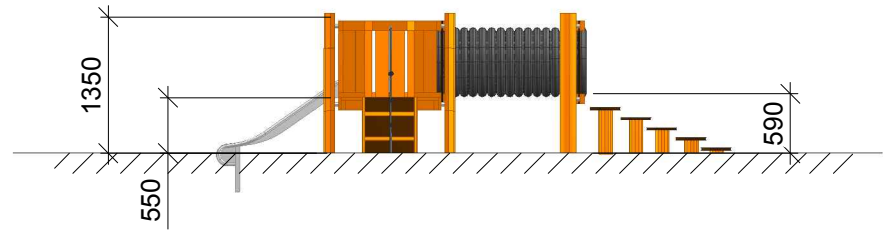
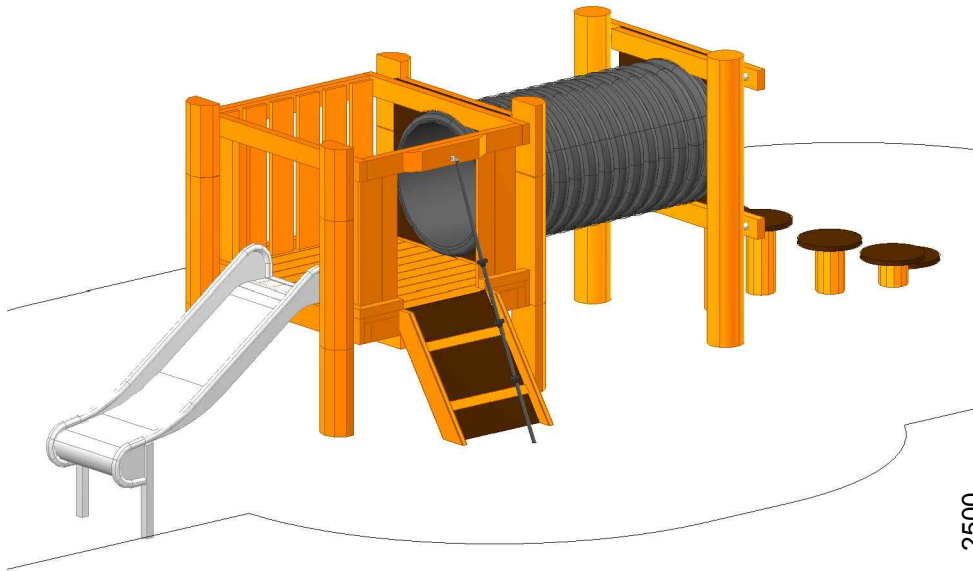


|                   |        |
|-------------------|--------|
| <b>NORLEG</b>     |        |
| Klatresystem Idun |        |
| LE 20722          |        |
| 26.03.2015        | REV. - |

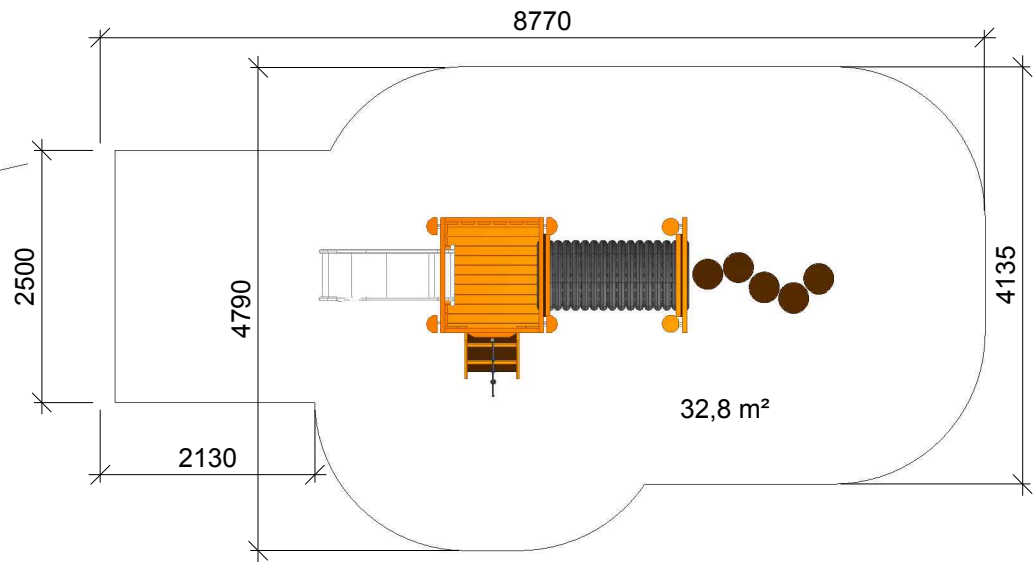
< 600



≥ EN 1176



1:75



1:75

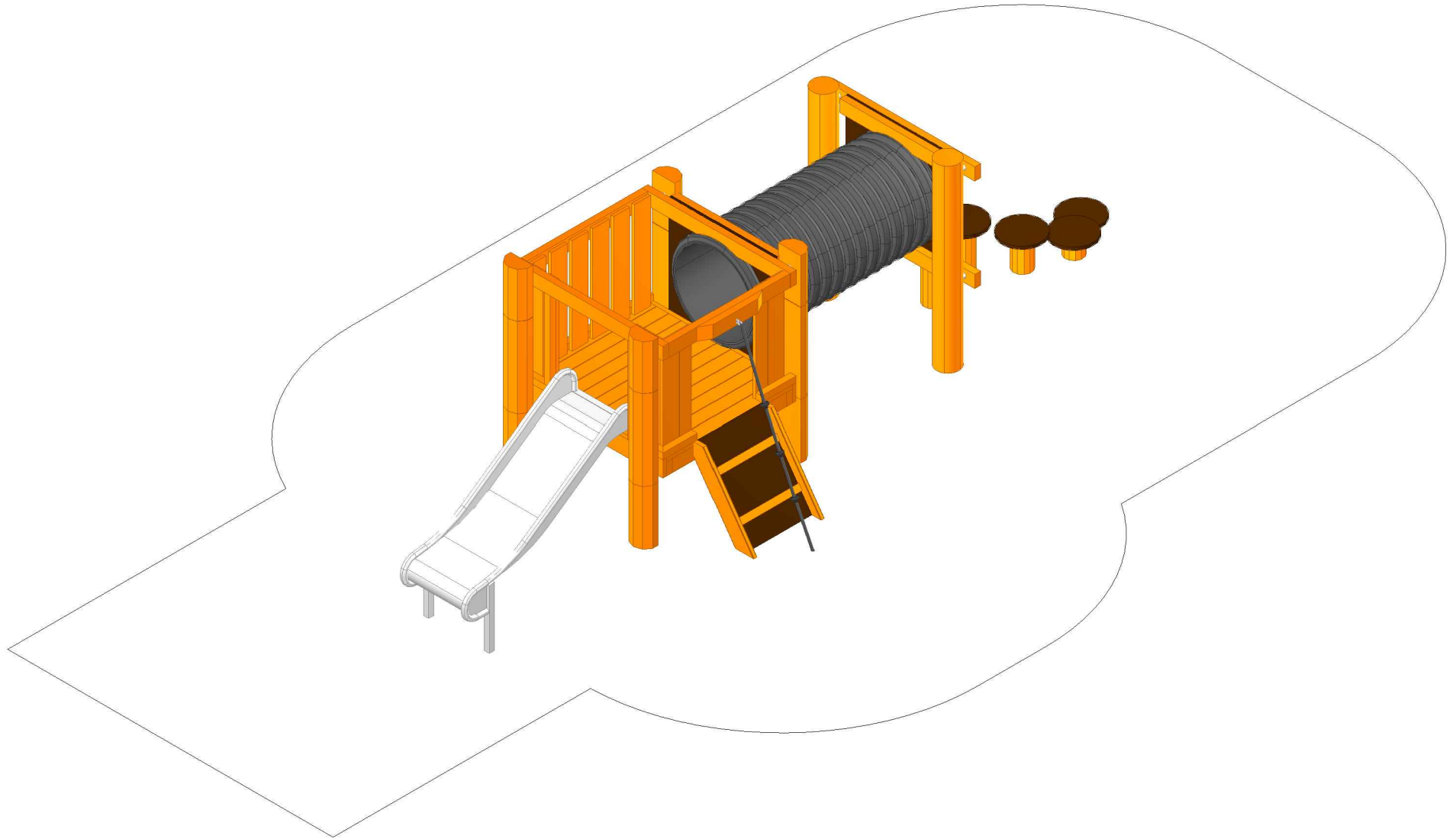
# NORLEG - 3D

Klatresystem Idun

LE 20722


26.03.2015

REV. -



|                       |        |
|-----------------------|--------|
| <b>NORLEG</b> - Mont. |        |
| Klatresystem Idun     |        |
| LE 20722              |        |
| 26.03.2015            | REV. - |

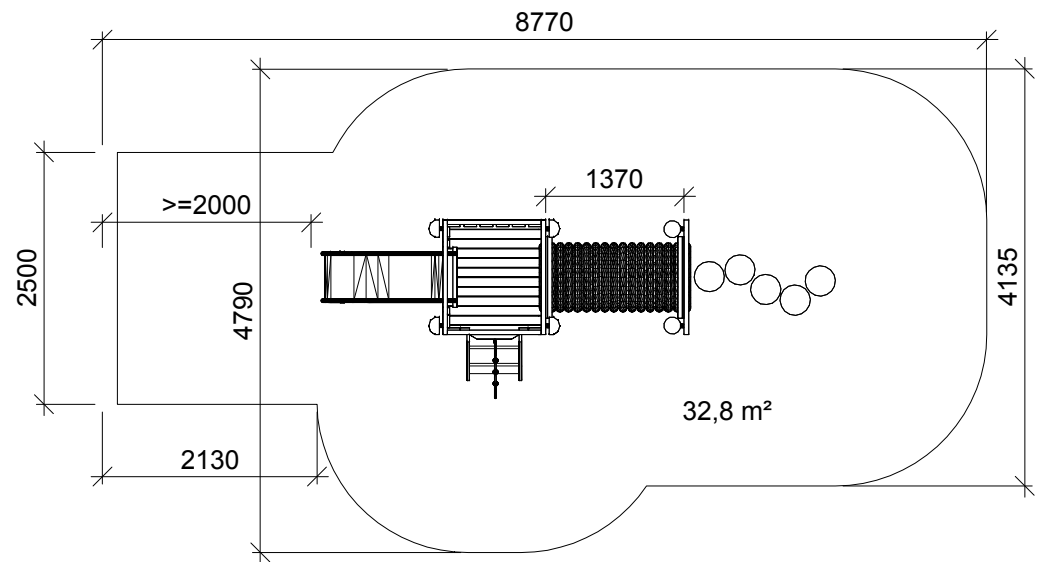
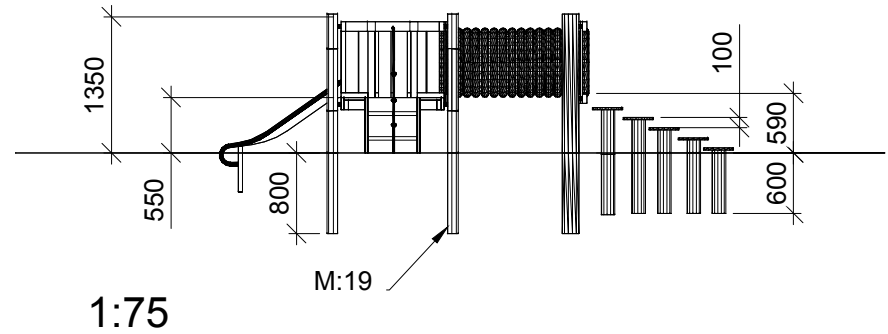
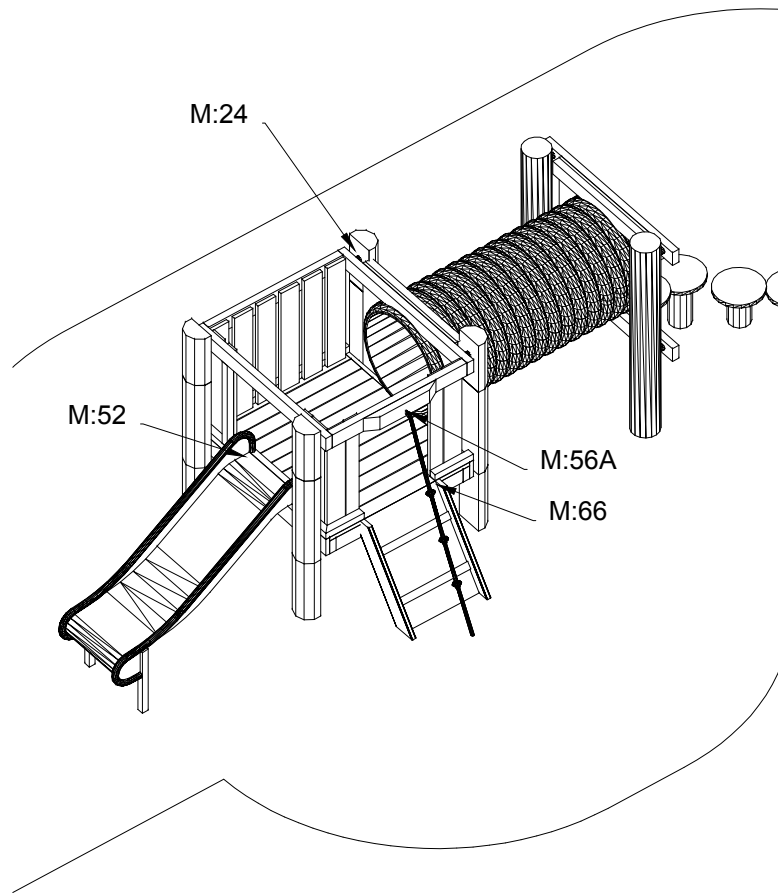
< 600



≥ EN 1176

Mont.p. nr.


- 19
- 24
- 52
- 56A
- 66



This drawing is the property of NORLEG and pursuant to current legislation may not be copied, transferred to or used by any third party. Should this drawing be used, a fee of 10% of the assumed contract price will be charged.

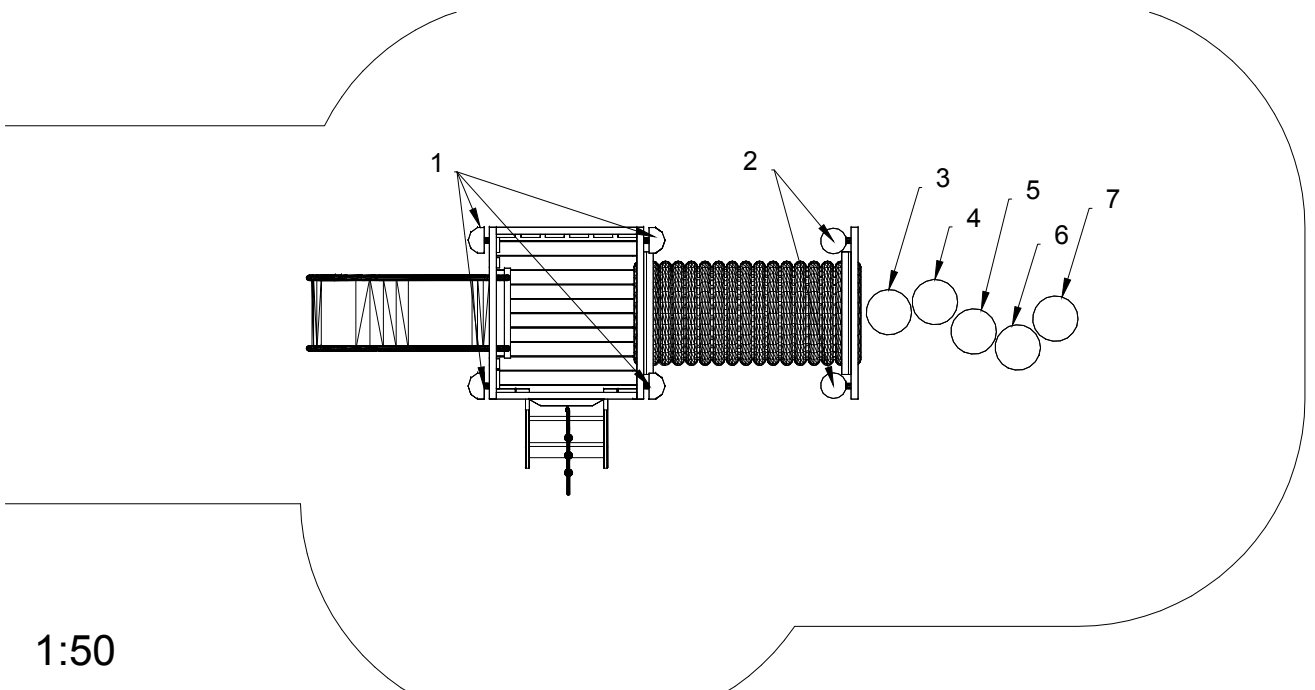
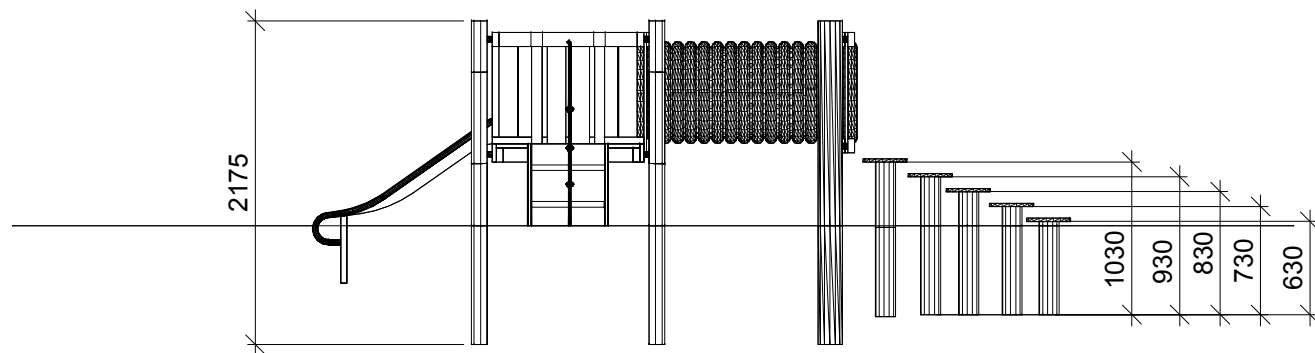
|                       |        |
|-----------------------|--------|
| <b>NORLEG</b> - Mont. |        |
| Klatresystem Idun     |        |
| LE 20722              |        |
| 26.03.2015            | REV. - |

< 600



≥ EN 1176

| Parts list |     |                |
|------------|-----|----------------|
| Mrk.       | QTY | Part.no        |
| 1          | 4   | 160-180-2175-h |
| 2          | 2   | 140-160-2175   |
| 3          | 1   | 140-160-1030   |
| 4          | 1   | 140-160-930    |
| 5          | 1   | 140-160-830    |
| 6          | 1   | 140-160-730    |
| 7          | 1   | 140-160-630    |
|            |     |                |
|            |     |                |
|            |     |                |



1:50