

2



4,5h



20m²



6,3x3,3x2,5m



~173 kg



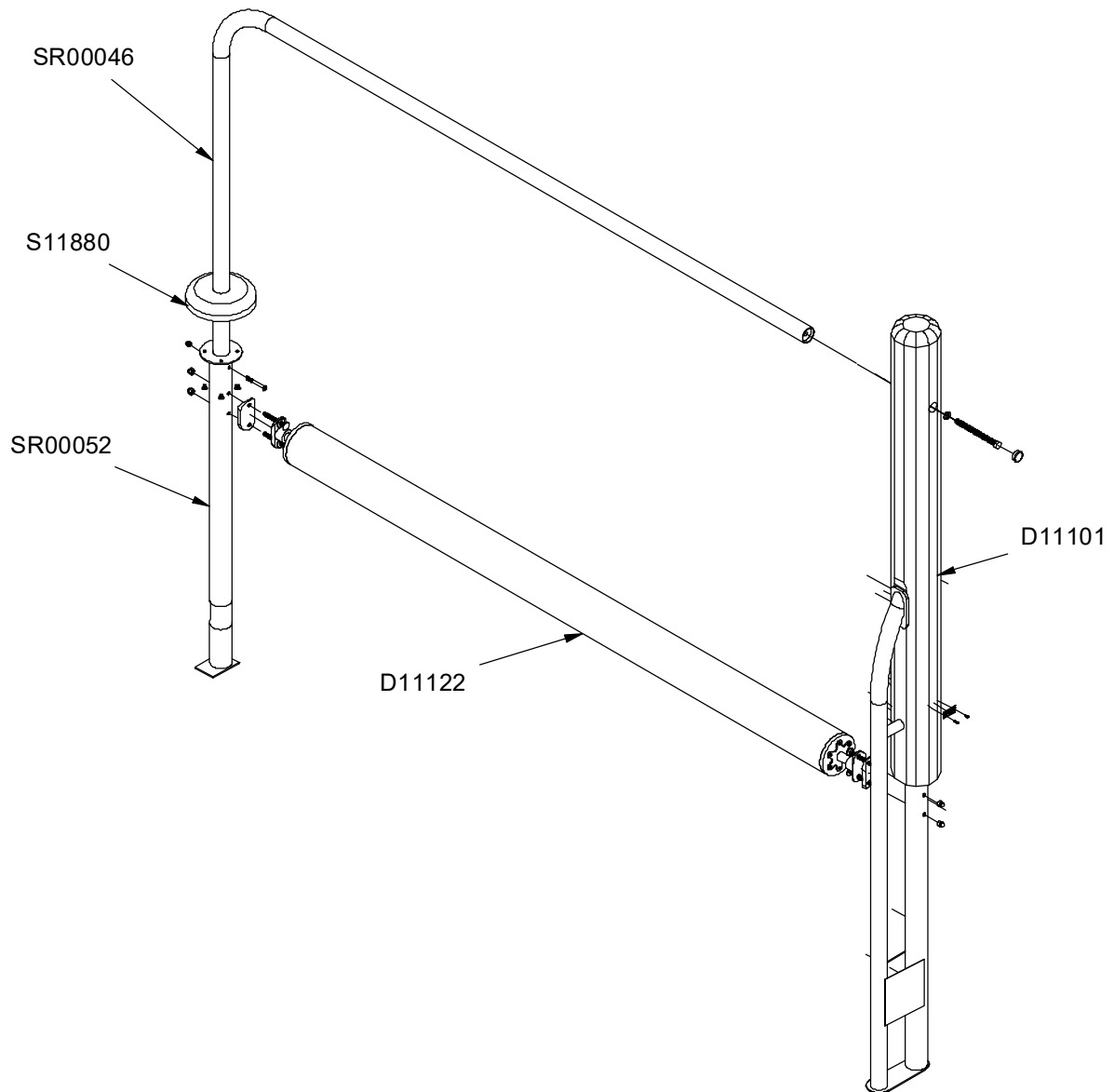
~0,07m³



20x330cm



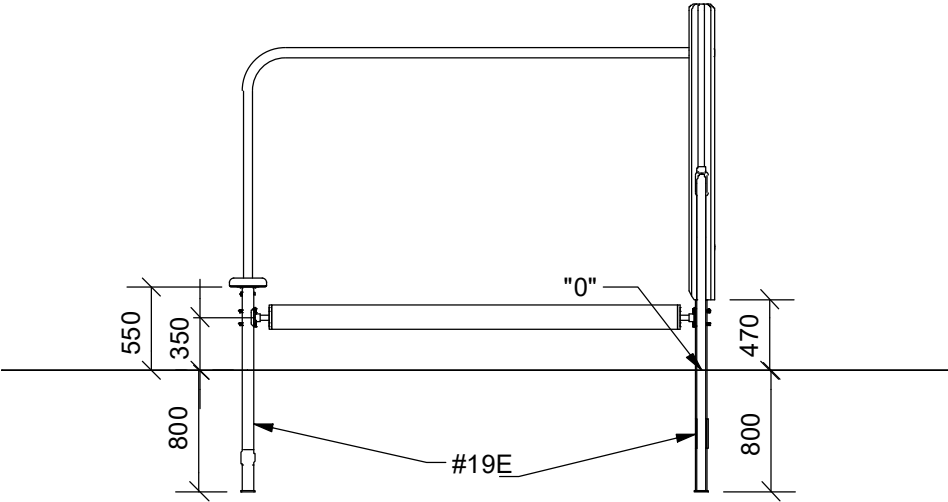
80kg



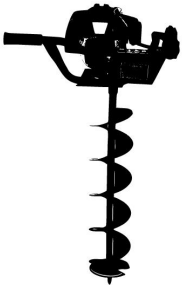
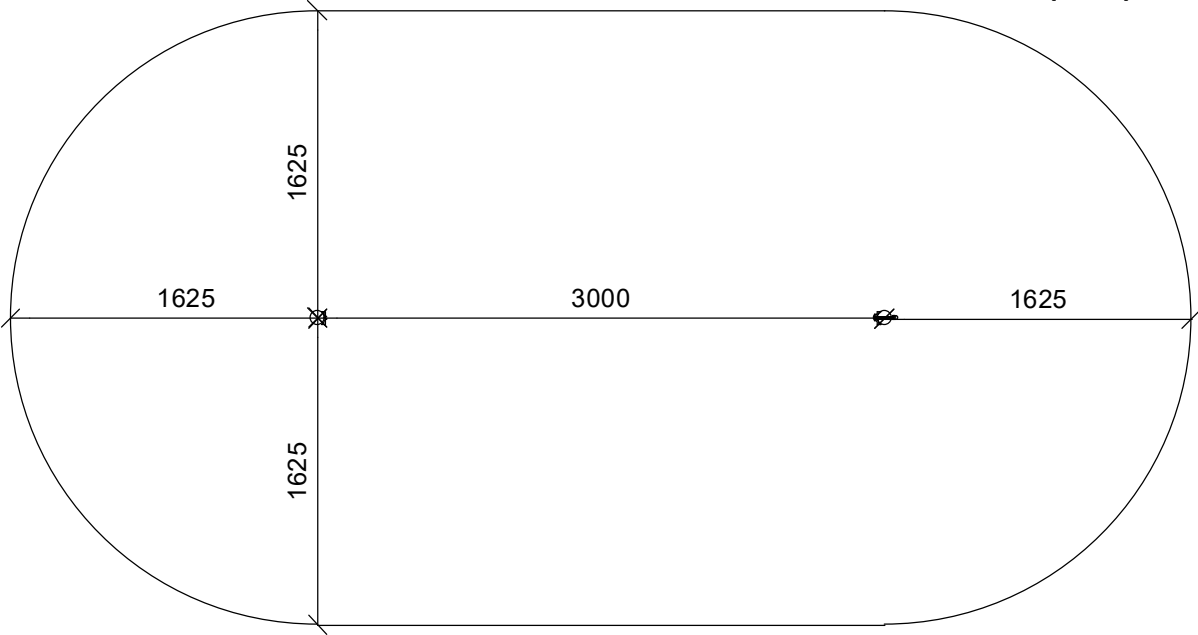
Parts List

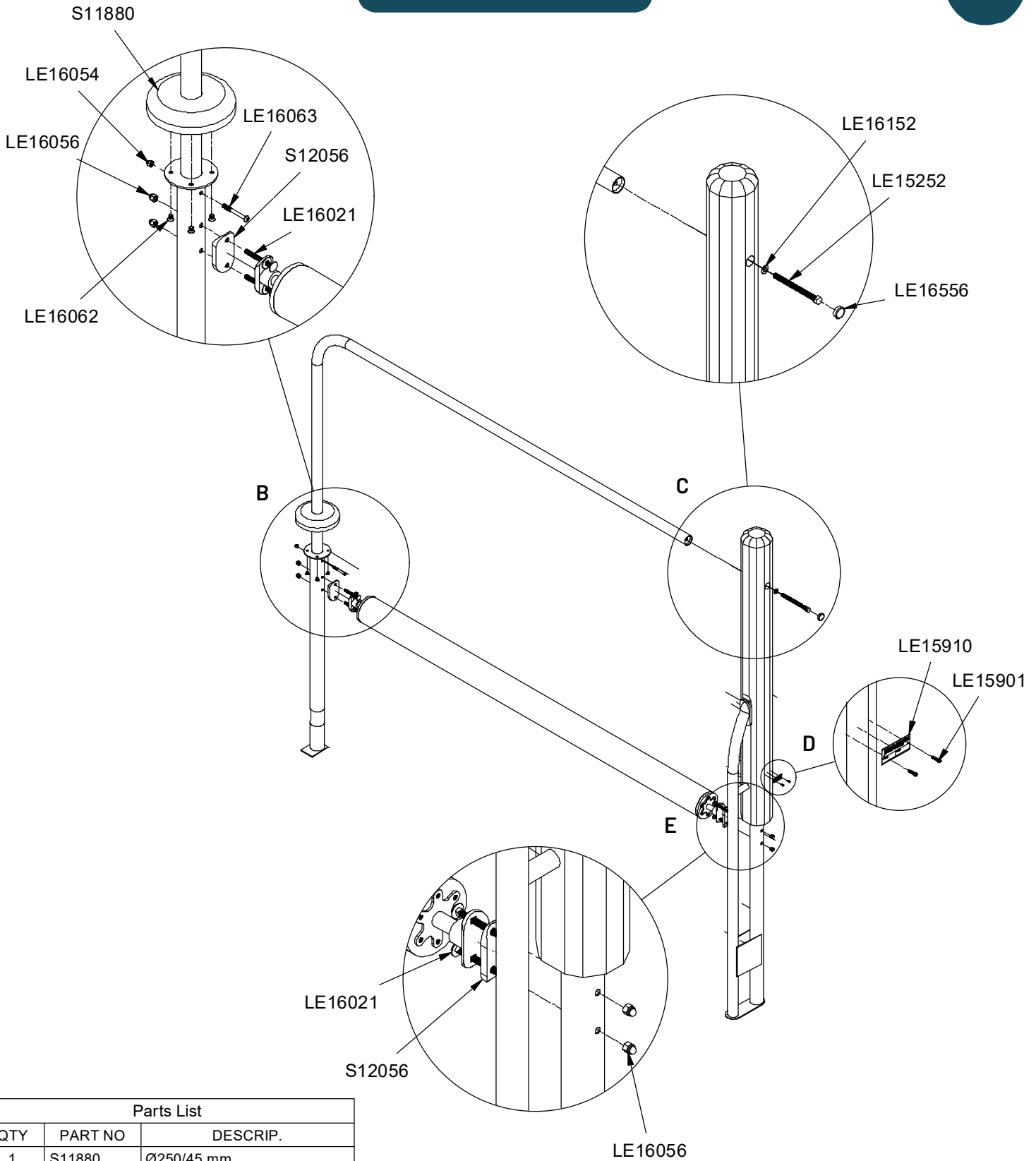
QTY	PART NO	DESCRIP.
1	D11101	Ø18-20x326 cm, assembled
1	S11880	Ø250/45 mm
1	D11122	Ø160x2950 mm
1	SR00052	Ø80x140 cm
1	SR00046	Ø60,3 Tube

(1/50)



(1/40)





Parts List		
QTY	PART NO	DESCRIP.
1	S11880	Ø250/45 mm
1	LE16063	M10x90 mm
4	LE16056	M12 cap nut
4	LE16062	M10x14 mm
1	LE16556	Ø42/38mm
1	LE15252	M16x200 mm
1	LE16152	M16 - Ø30 mm
4	LE16021	M12x110 mm
1	LE16054	M10 cap nut
2	LE15901	3x16, PH
1	LE15910	Name tag
2	S12056	Bracket fitting

