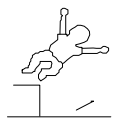
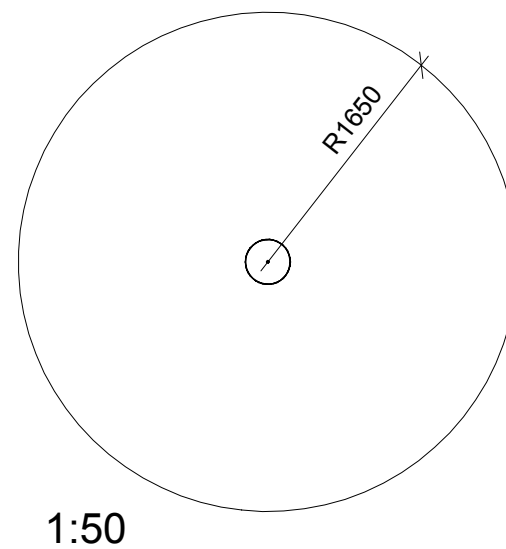
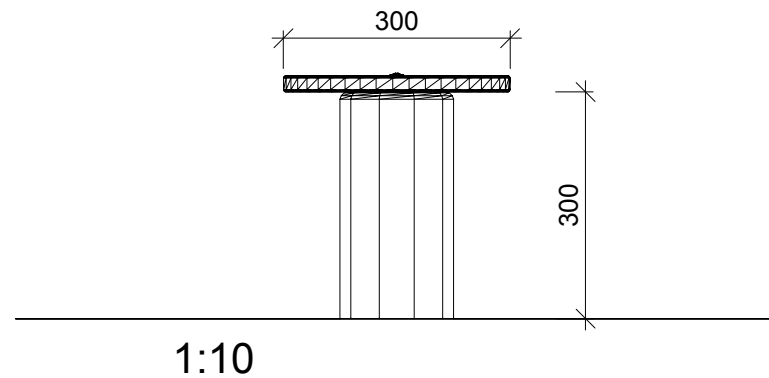
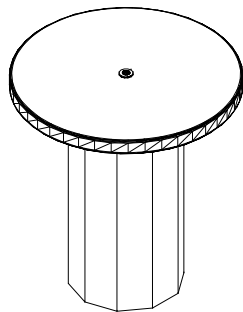


NORLEG	
Balancetrin Ø30 cm	
LE 42504	
16.06.2011	REV. -

< 600

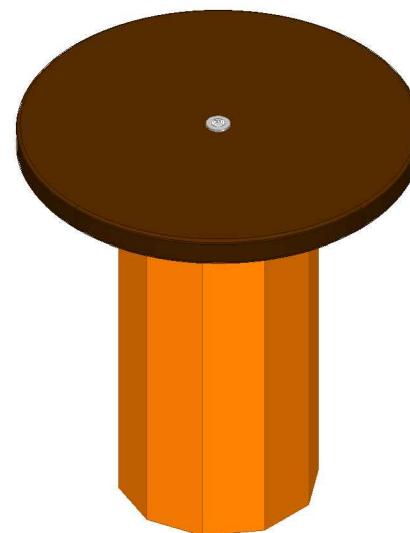


≥ EN 1176



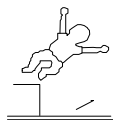
This drawing is the property of NORLEG and pursuant to current legislation may not be copied, transferred to or used by any third party. Should this drawing be used, a fee of 10% of the assumed contract price will be charged.

NORLEG - 3D	
Balancetrin Ø30 cm	
LE 42504	
16.06.2011	REV. -



NORLEG - Mont.	
Balancetrin Ø30 cm	
LE 42504	
16.06.2011	REV. -

< 600



≥ EN 1176

Mont.p. nr.

19

