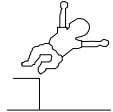
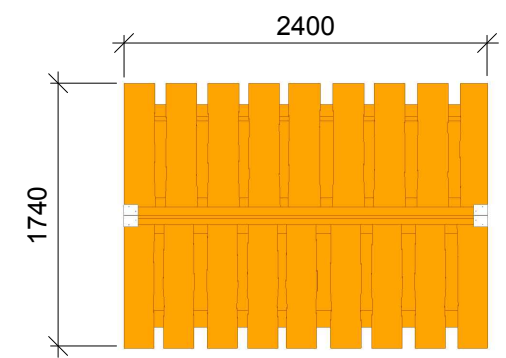
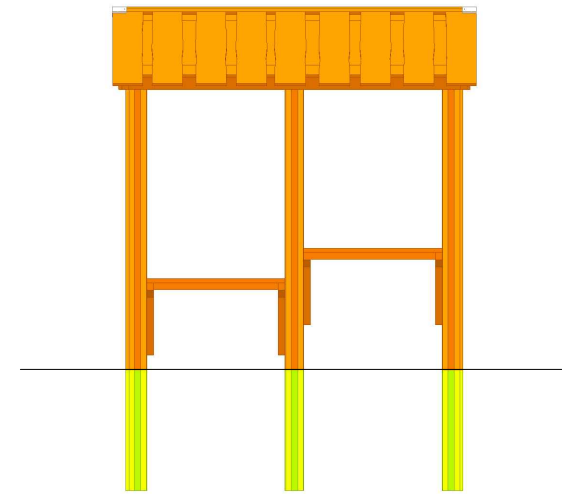
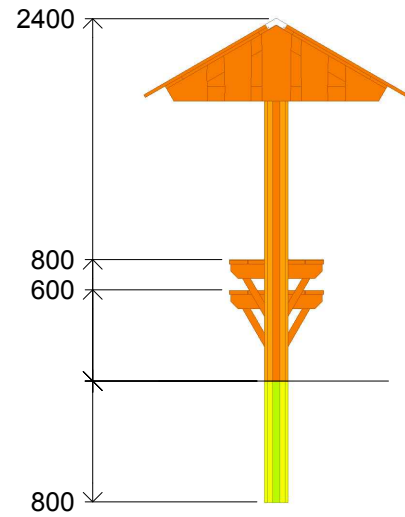


NORLEG	
Købmandsbod	
LE 20096	
16.11.2005	REV. B:13.12.2017

< 600



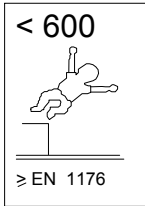
≥ EN 1176



This drawing is the property of NORLEG and pursuant to current legislation may not be copied, transferred to or used by any third party. Should this drawing be used, a fee of 10% of the assumed contract price will be charged.

1:50

NORLEG	
Købmandsbod	
LE 20096	
16.11.2005	REV. B:13.12.2017

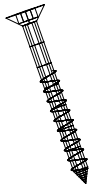


By assembly. Drilling and use of saw must be expected.

Dh = Disk head



Ch = Countersunk head



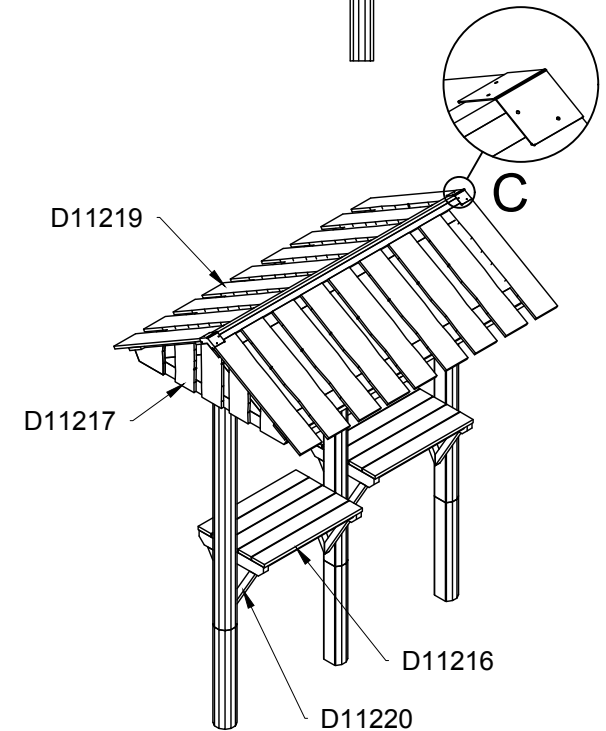
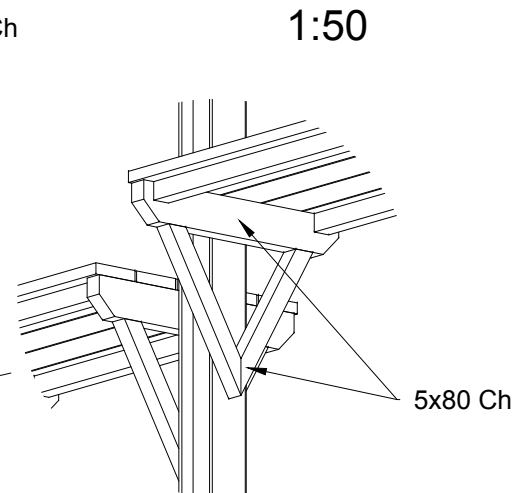
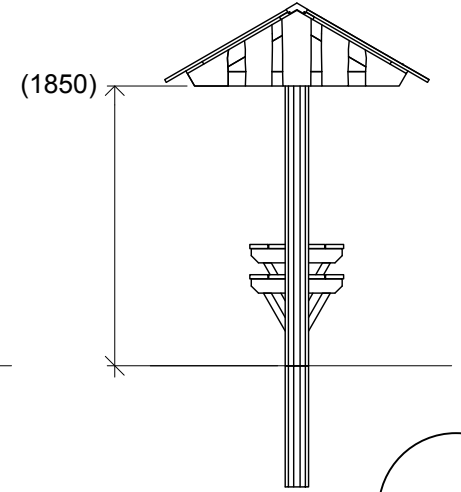
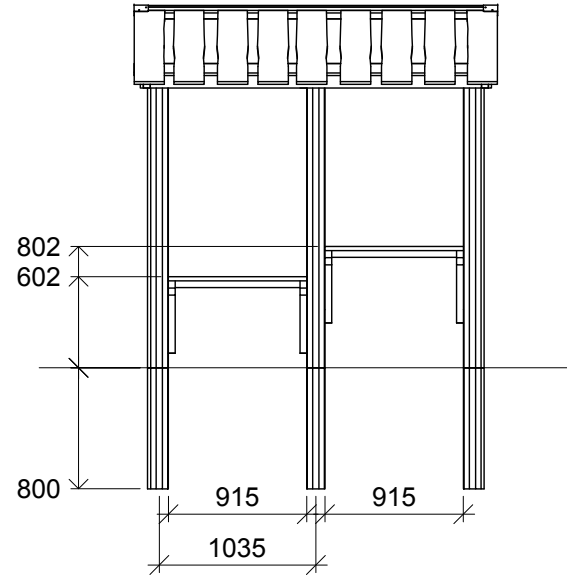
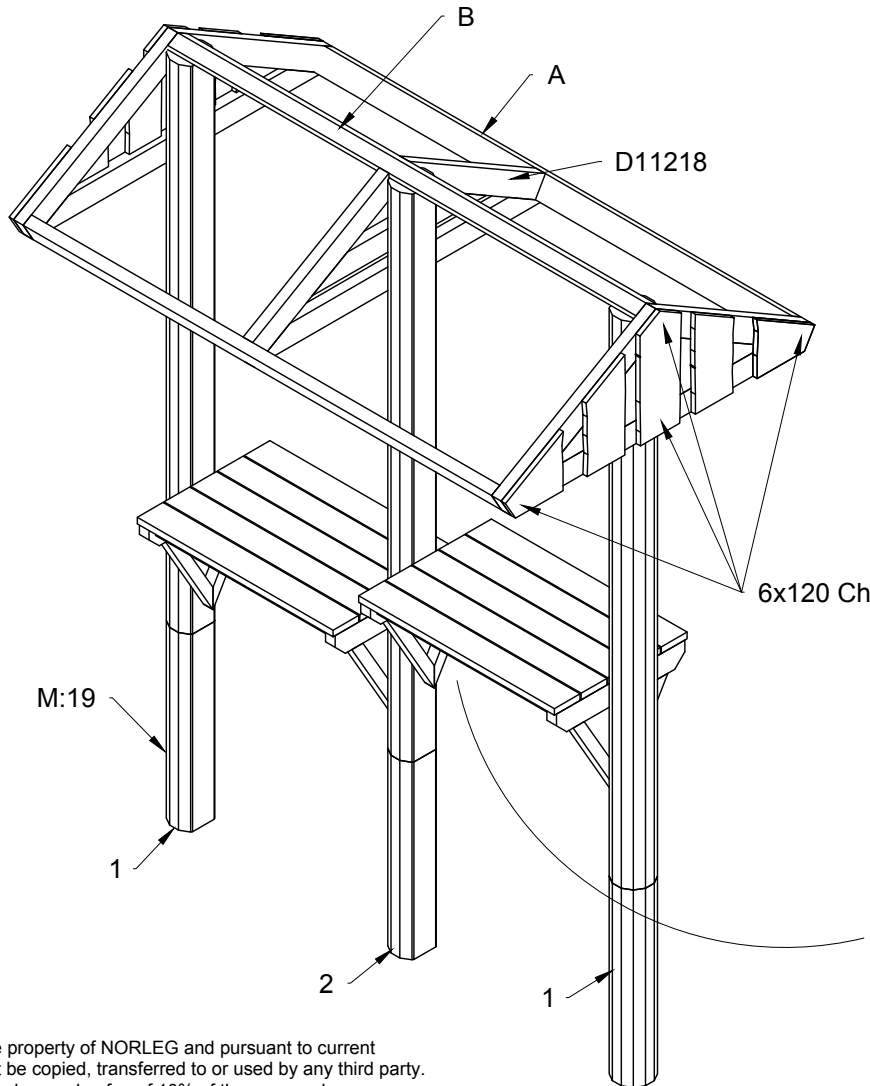
- Mont.

Mont.p. nr.

19

Part

- D11216
- D11217
- D11218
- D11219
- D11220



This drawing is the property of NORLEG and pursuant to current legislation may not be copied, transferred to or used by any third party. Should this drawing be used, a fee of 10% of the assumed contract price will be charged.