

5,5h



2



16,2m²



5,8 x 3,2 x 2,1m



~214 kg



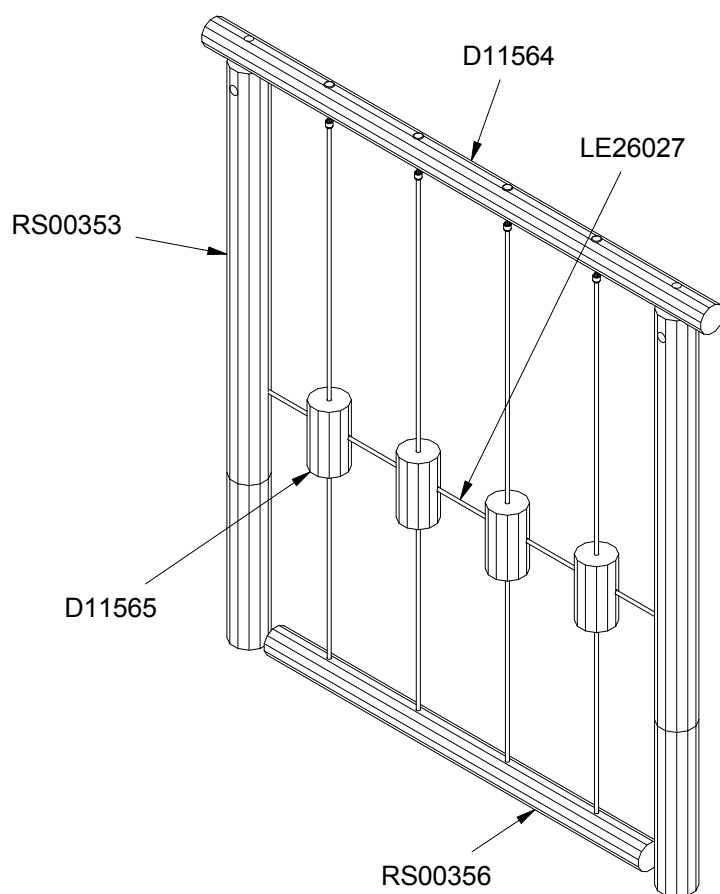
~0,07m³



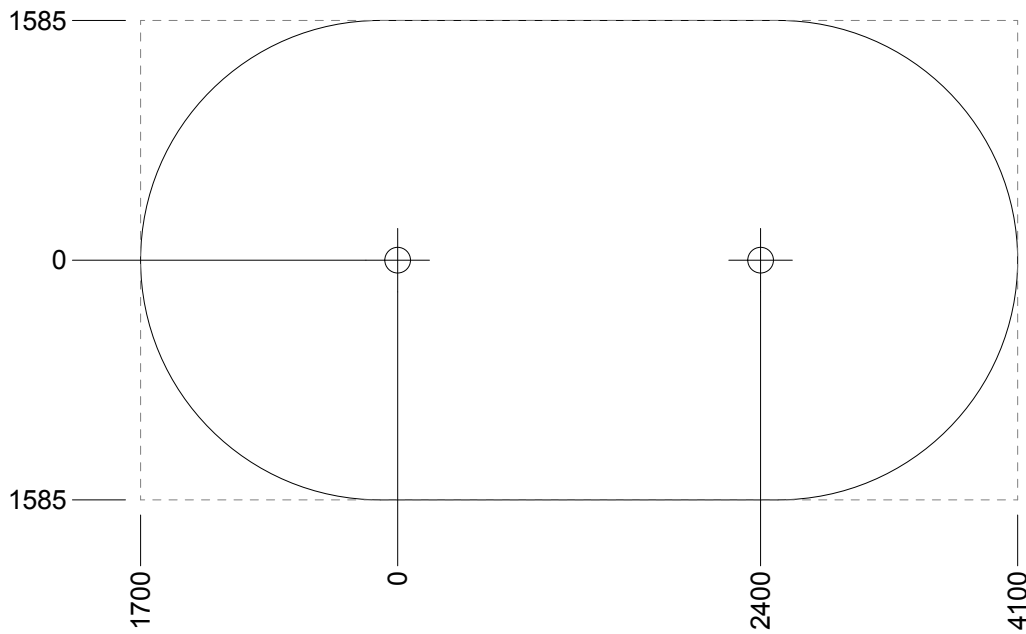
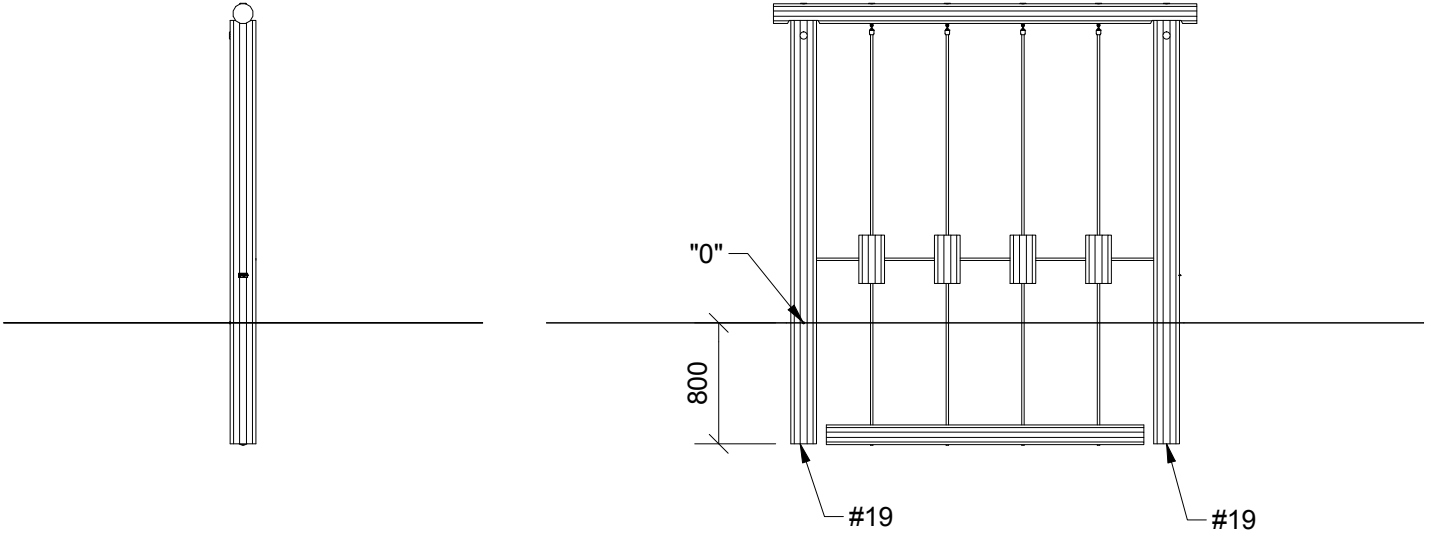
Ø16-18x280cm

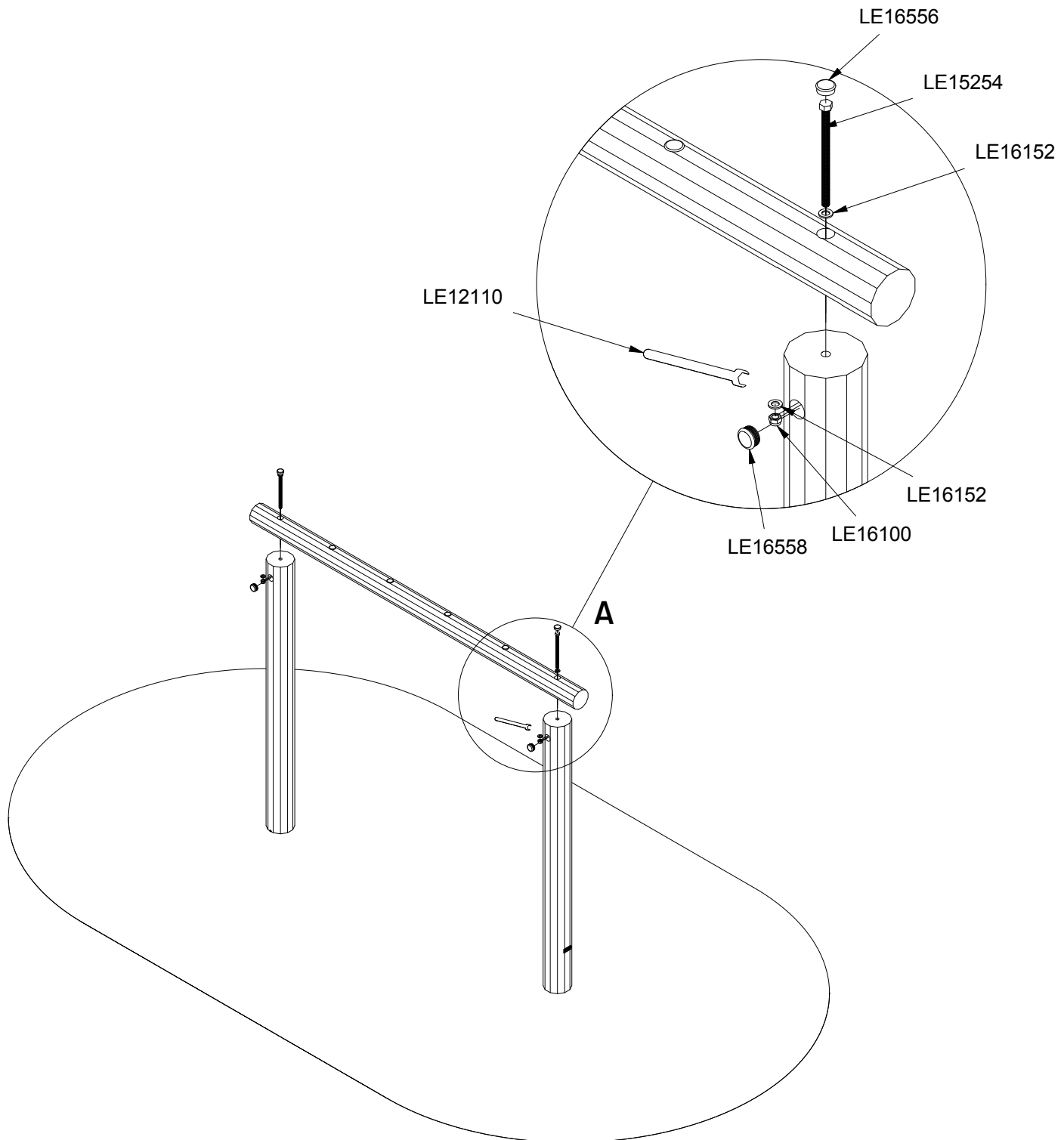


65 kg

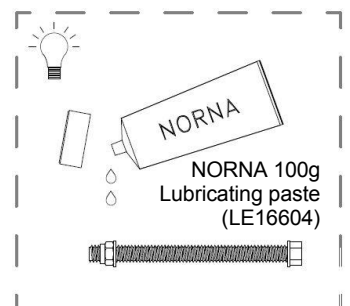


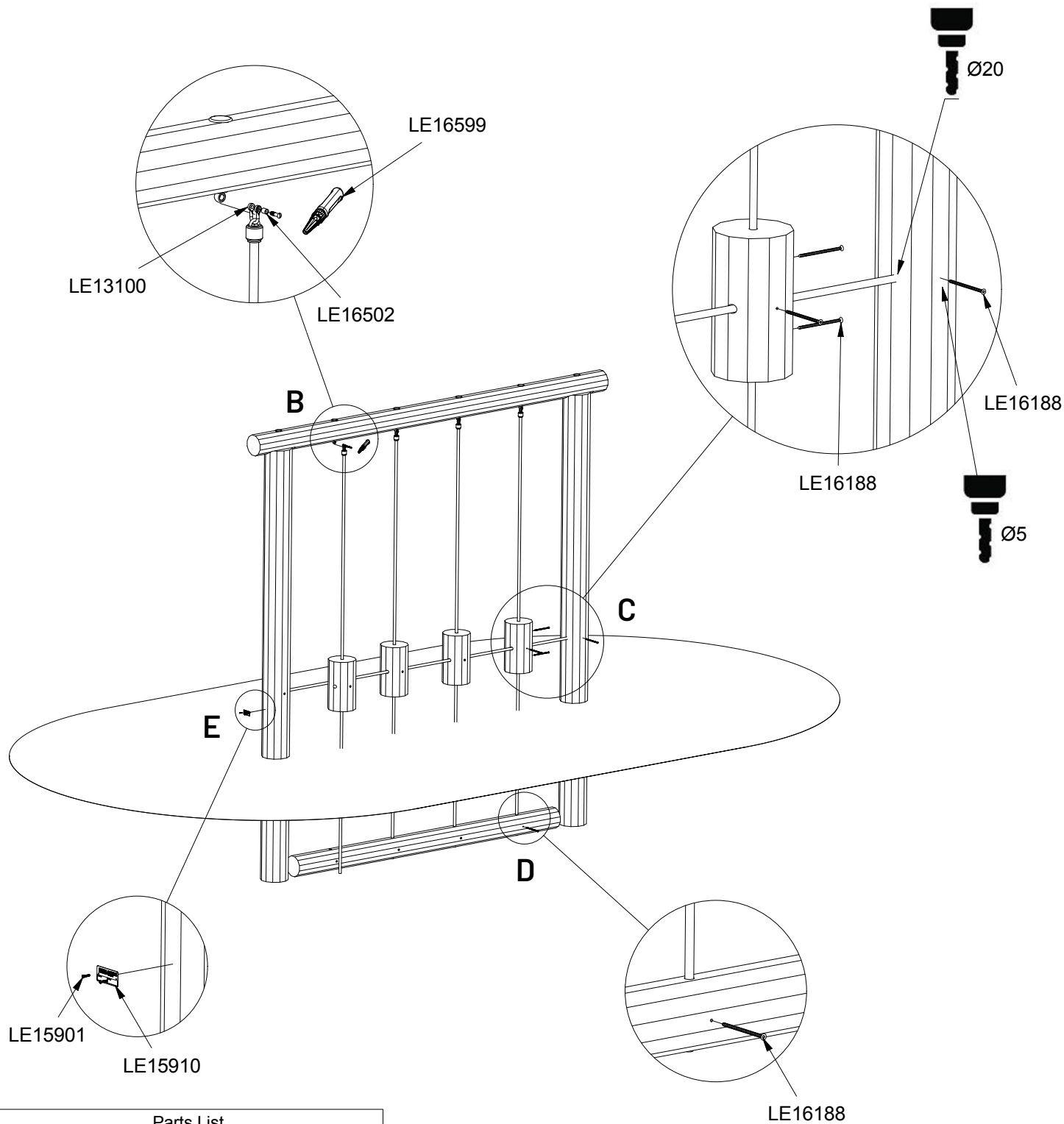
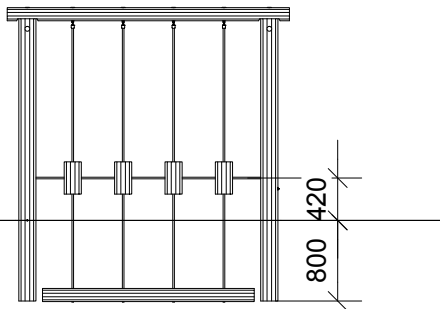
Parts List		
QTY	PART NO	DESCRIP.
1	D11564	Ø120-140x2800mm, assembled
4	D11565	Robinia block with taifun
1	LE26027	Taifun rope
2	RS00353	Ø160-180x2800mm
1	RS00356	Ø120-140x2100mm





Parts List		
QTY	PART NO	DESCRIP.
2	LE15254	M16x250mm
2	LE16100	M16 nut
4	LE16152	M16 - Ø30 mm
2	LE16556	Ø42/38mm
2	LE16558	Ø48/44,5mm





Parts List

QTY	PART NO	DESCRIP.
4	LE13100	Shackle
2	LE15901	3x16, PH
1	LE15910	Name tag
18	LE16188	6x120
4	LE16502	Spacer 6mm