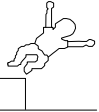
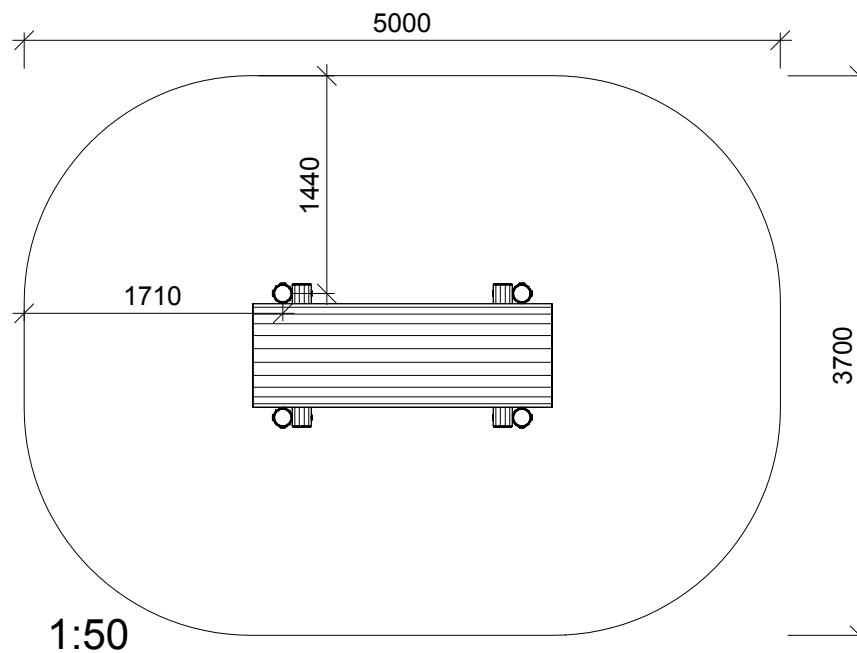
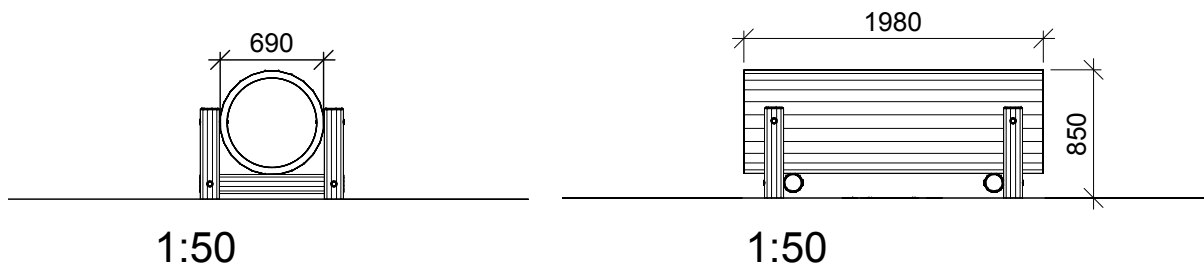
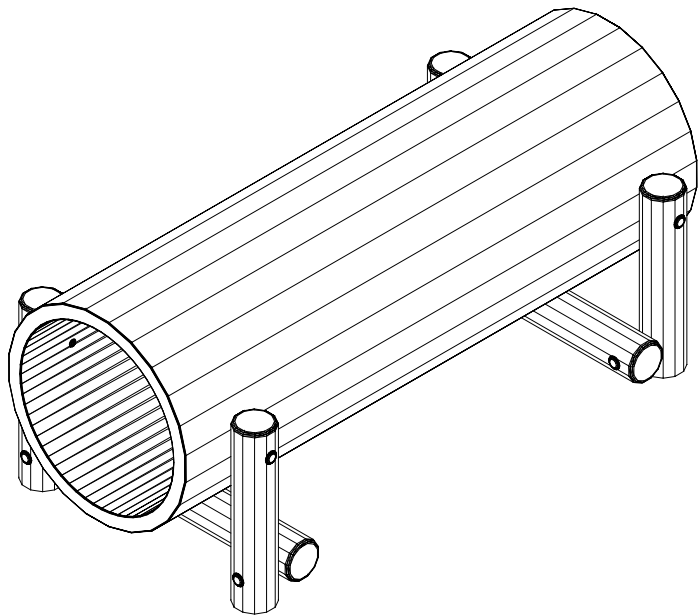


|               |                 |
|---------------|-----------------|
| <b>NORLEG</b> |                 |
| Kravlerør     |                 |
| LE 20542      |                 |
| 09.08.2004    | REV. 16.12.2015 |

< 850



≥ EN 1176



This drawing is the property of NORLEG and pursuant to current legislation may not be copied, transferred to or used by any third party. Should this drawing be used, a fee of 10% of the assumed contract price will be charged.

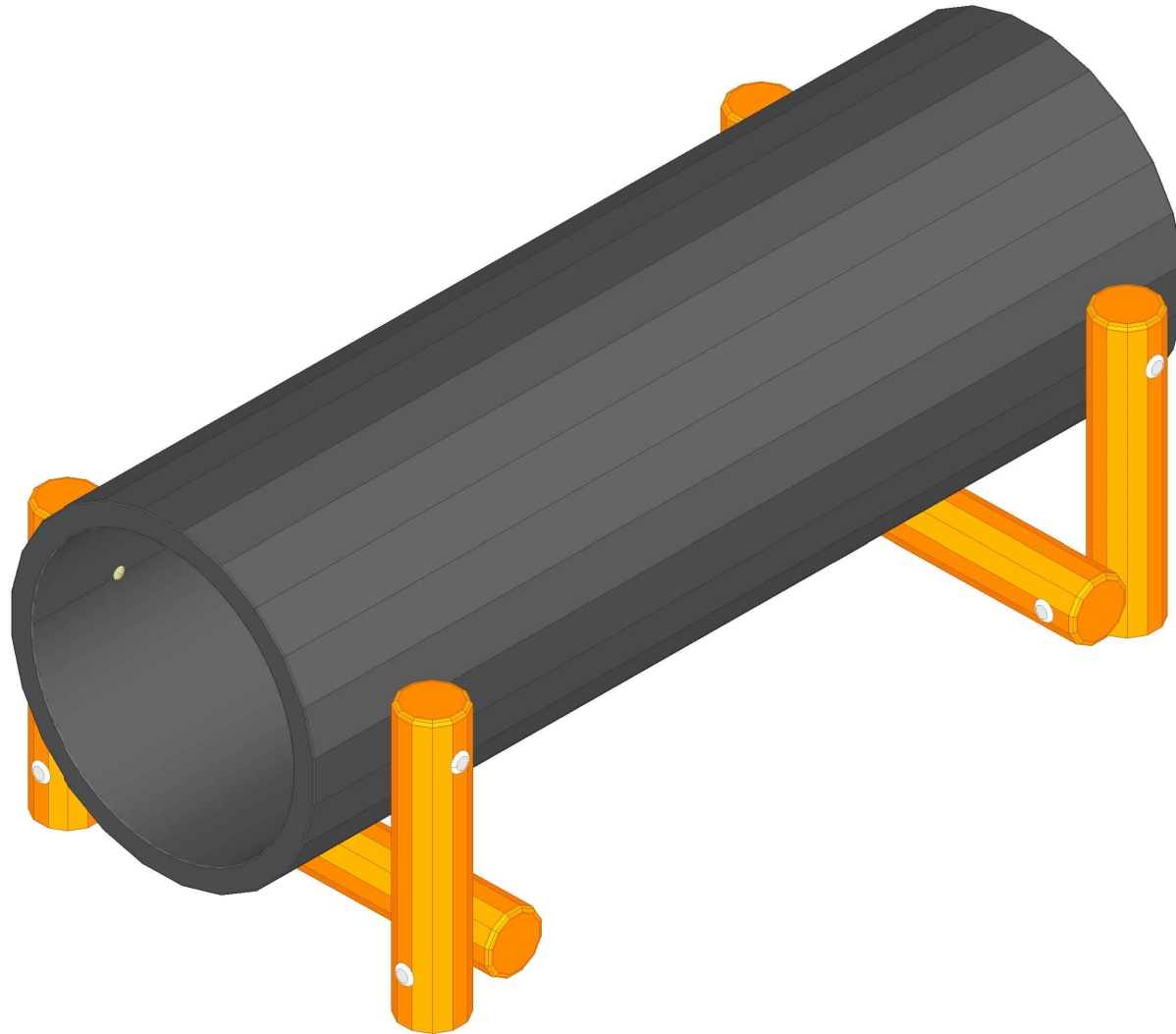
# NORLEG - 3D

Kravlerør

LE 20542


09.08.2004

REV. 16.12.2015

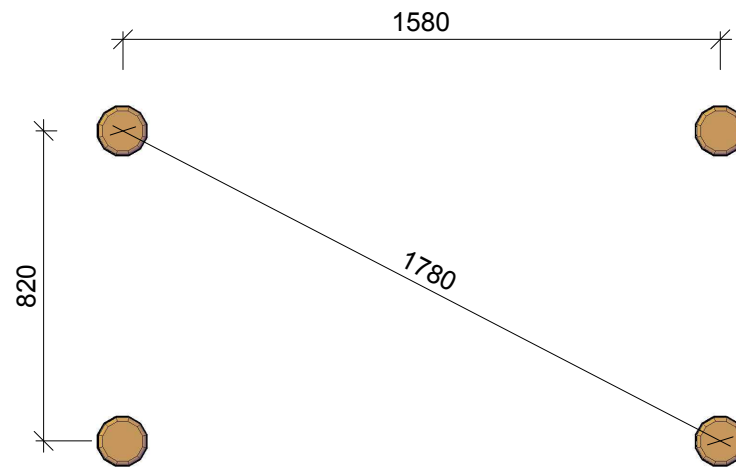


|                       |                 |
|-----------------------|-----------------|
| <b>NORLEG</b> - Mont. |                 |
| Kravlerør             |                 |
| LE 20542              |                 |
| 09.08.2004            | REV. 16.12.2015 |

< 850




≥ EN 1176



1:20

|                       |                 |
|-----------------------|-----------------|
| <b>NORLEG</b> - Mont. |                 |
| Kravlerør             |                 |
| LE 20542              |                 |
| 09.08.2004            | REV. 16.12.2015 |

< 850

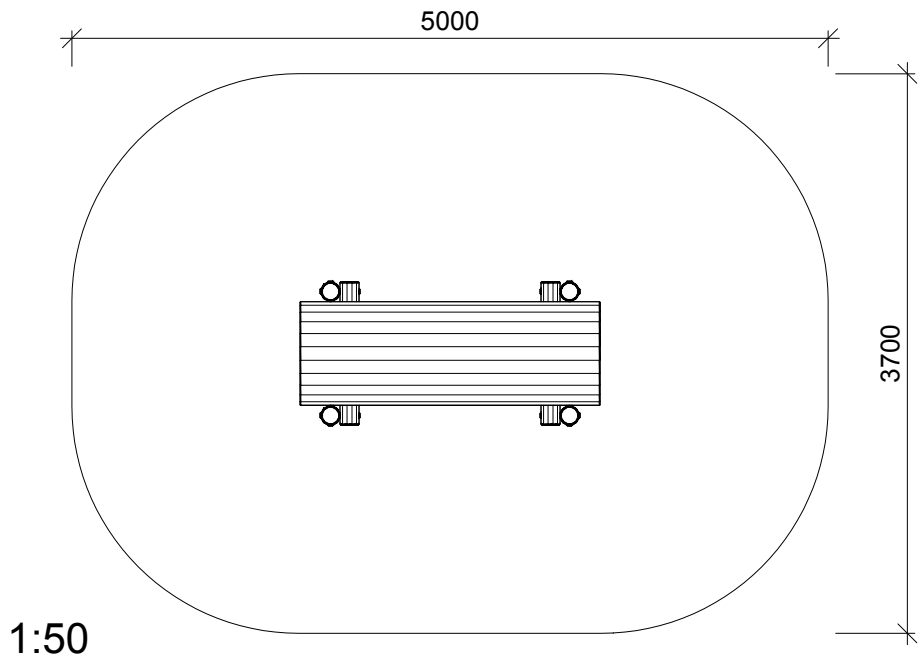
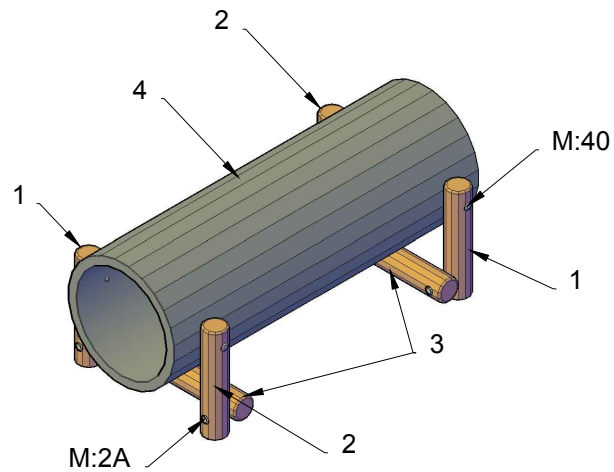
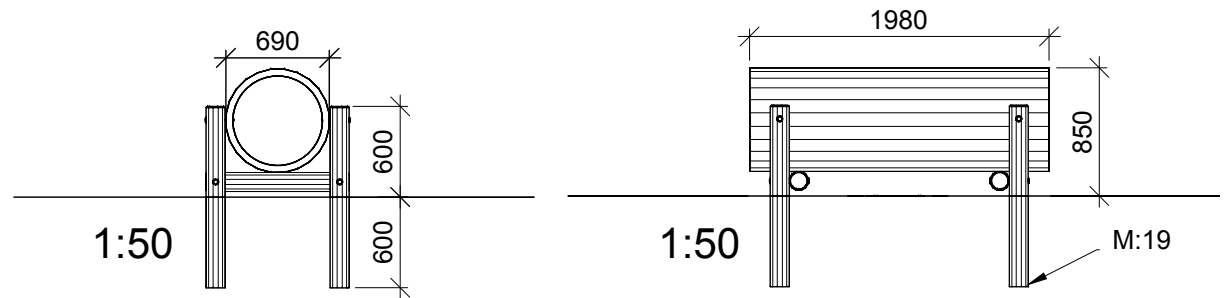


≥ EN 1176

Mont.p. nr.

2A  
19  
40

| Parts list |     |                |
|------------|-----|----------------|
| Mrk.       | QTY | Part.no        |
| 1          | 2   | 120-140-1200-z |
| 2          | 2   | 120-140-1200-z |
| 3          | 2   | 120-140-950-z  |
| 4          | 1   | LE 14020       |



This drawing is the property of NORLEG and pursuant to current legislation may not be copied, transferred to or used by any third party. Should this drawing be used, a fee of 10% of the assumed contract price will be charged.