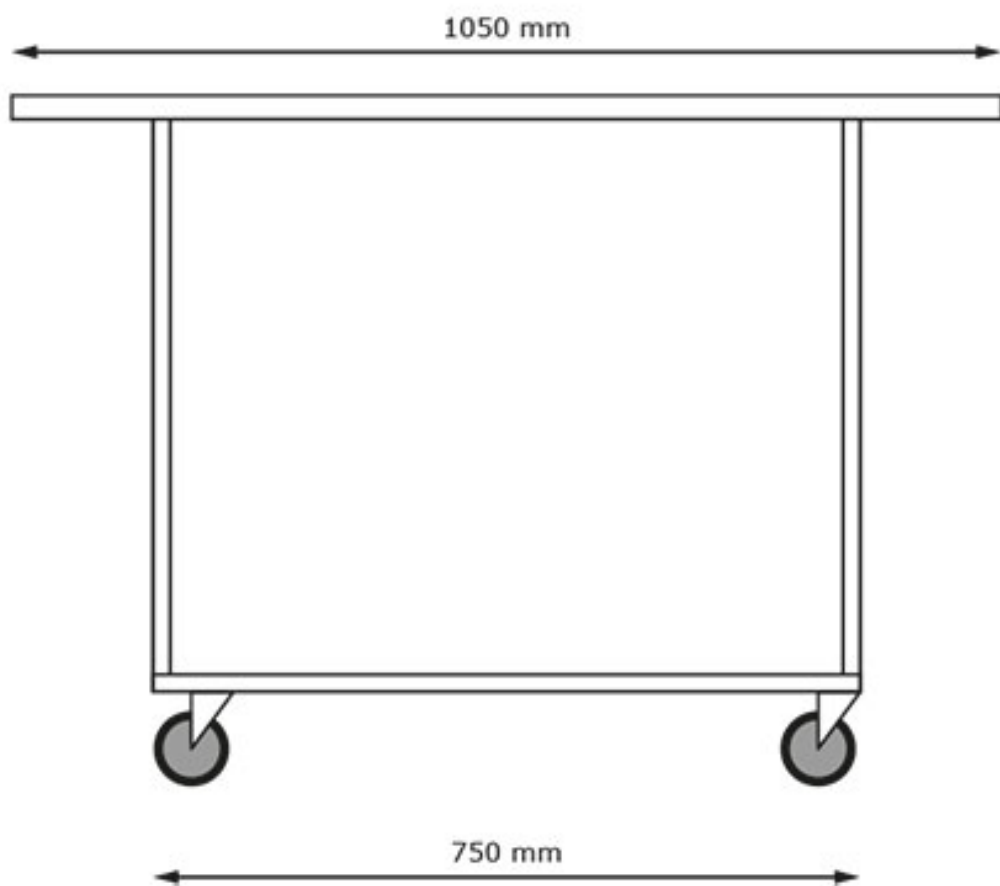


A - A



A ←

