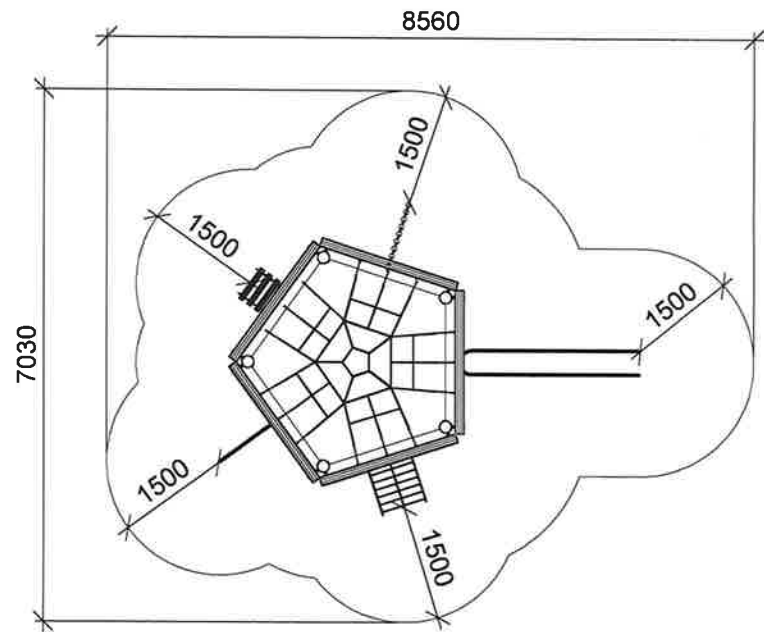
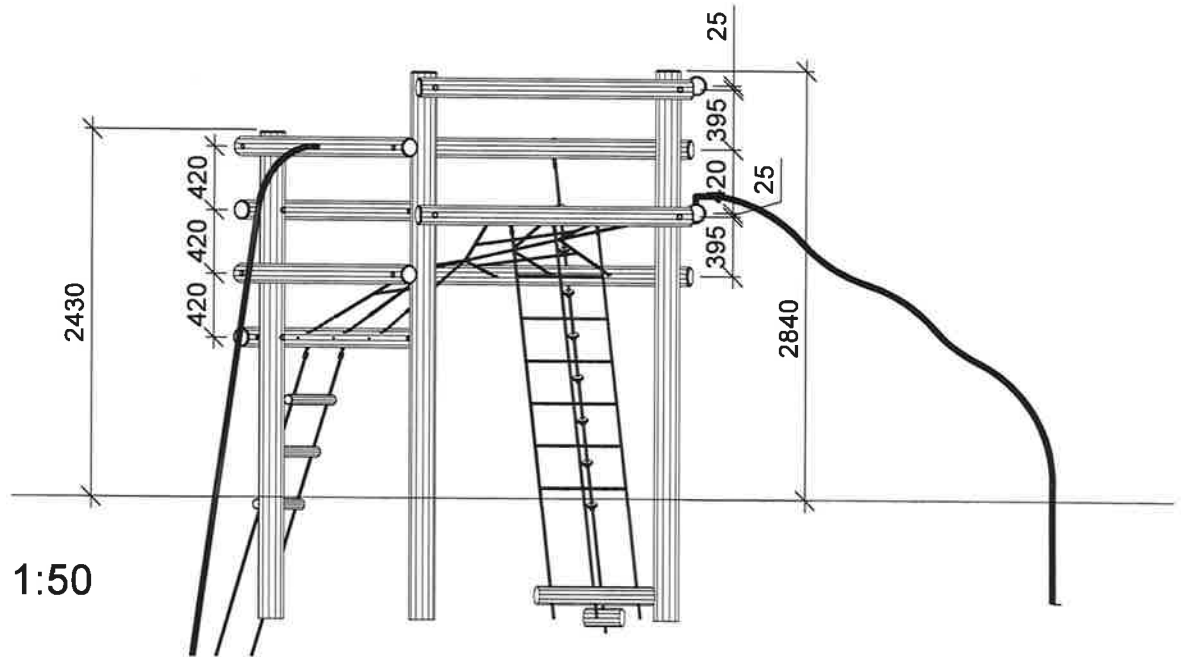
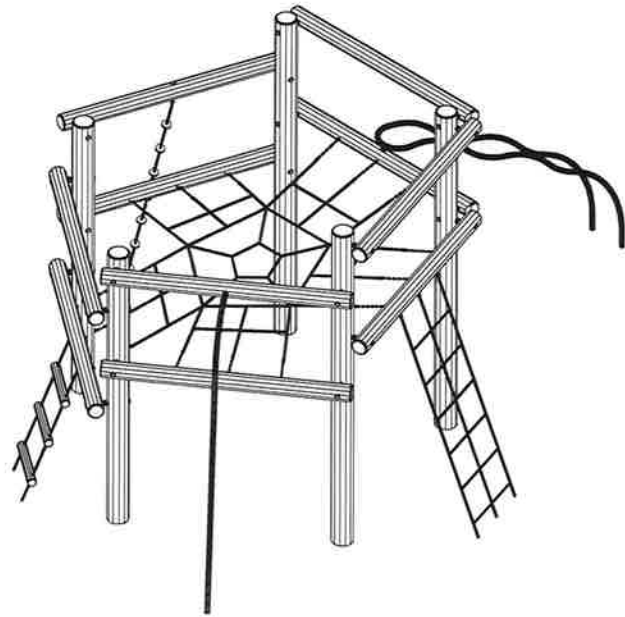


<b>NORLEG</b>	
<b>Robinia klatresystem 5</b>	
LE 20404 - Nye stolper	
07.07.2015	REV. 04.04.2017

< 2000



≥ EN 1176



This drawing is the property of NORLEG and pursuant to current legislation may not be copied, transferred to or used by any third party. Should this drawing be used, a fee of 10% of the assumed contract price will be charged.

# NORLEG - 3D

## Robinia klatresystem 5

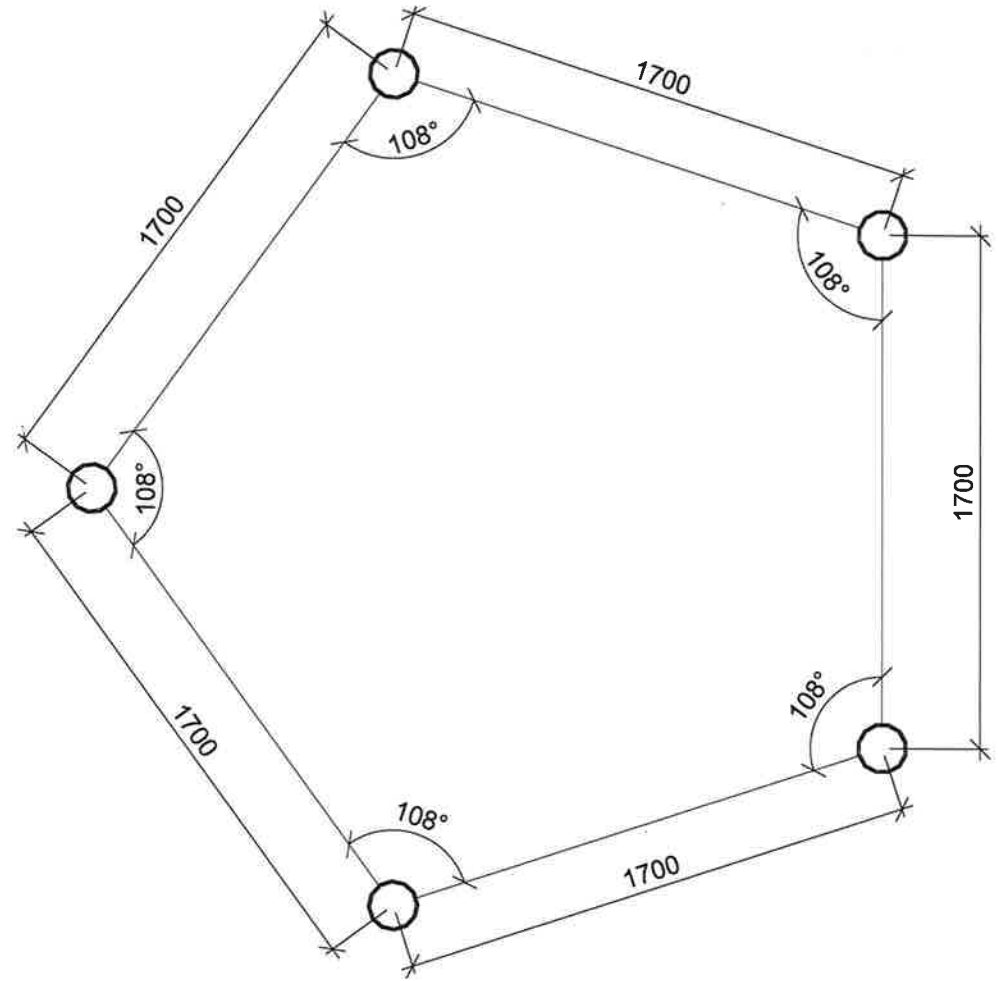
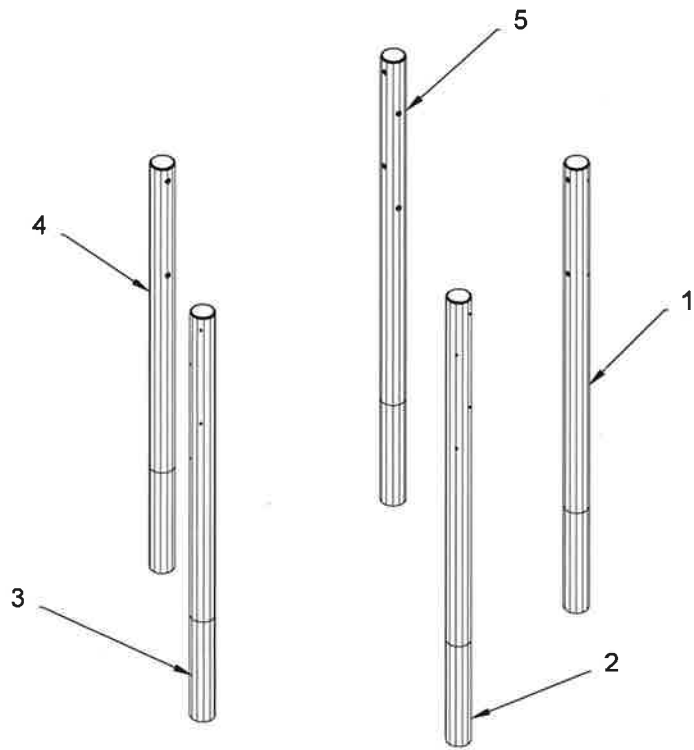
LE 20404

07.07.2015

REV. -




<b>NORLEG</b> - Mont.	
<b>Robinia klatresystem 5</b>	
LE 20404	
07.07.2015	REV. -



1:25

<b>NORLEG</b> - Mont.	
<b>Robinia klatresystem 5</b>	
LE 20404	
07.07.2015	REV. -

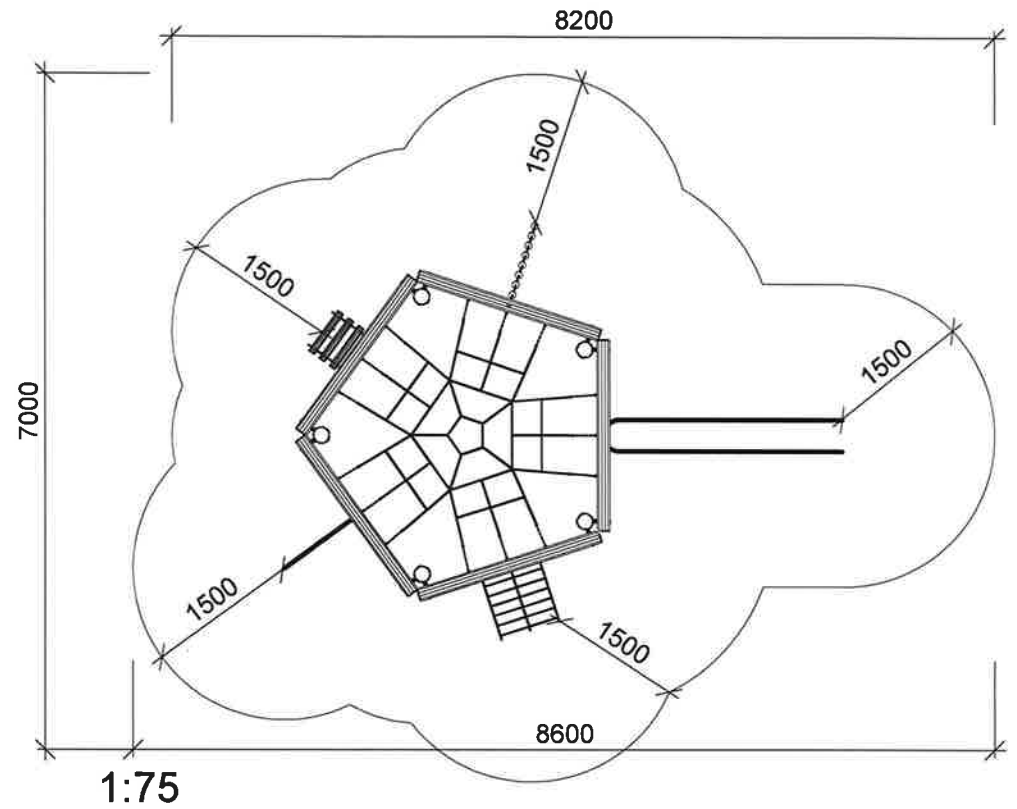
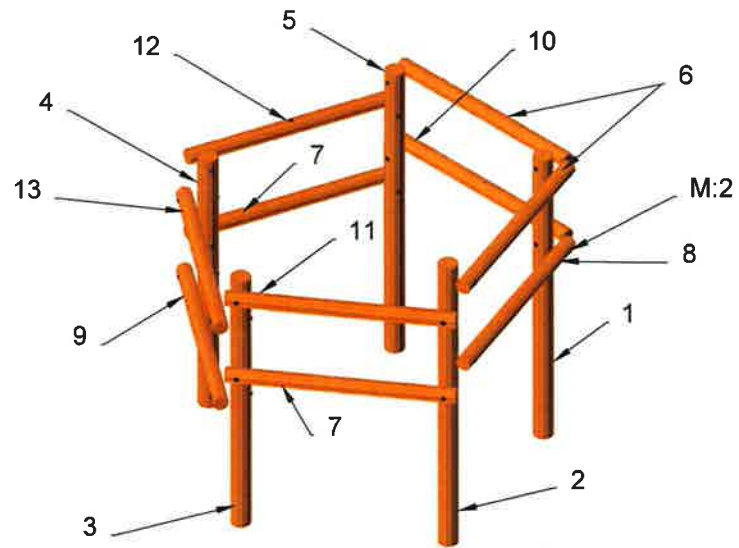
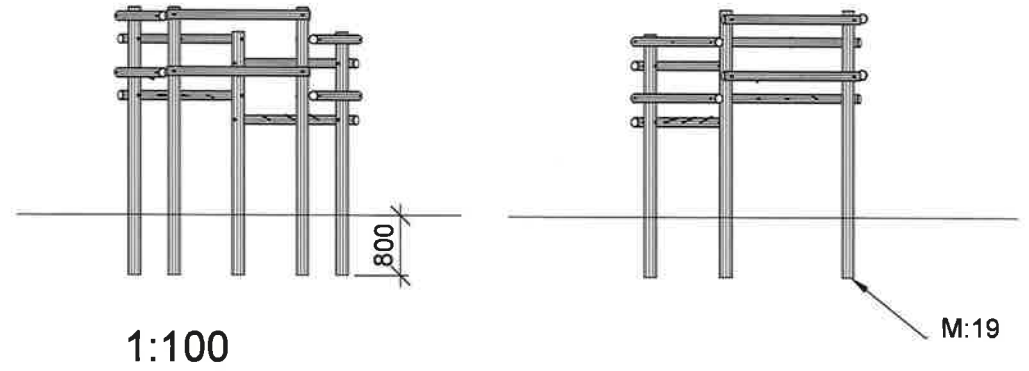
< 2000



≥ EN 1176

Mont.p. nr.

2  
19



This drawing is the property of NORLEG and pursuant to current legislation may not be copied, transferred to or used by any third party. Should this drawing be used, a fee of 10% of the assumed contract price will be charged.

<b>NORLEG</b> - Mont.	
<b>Robinia klatresystem 5</b>	
LE 20404	
07.07.2015	REV. -

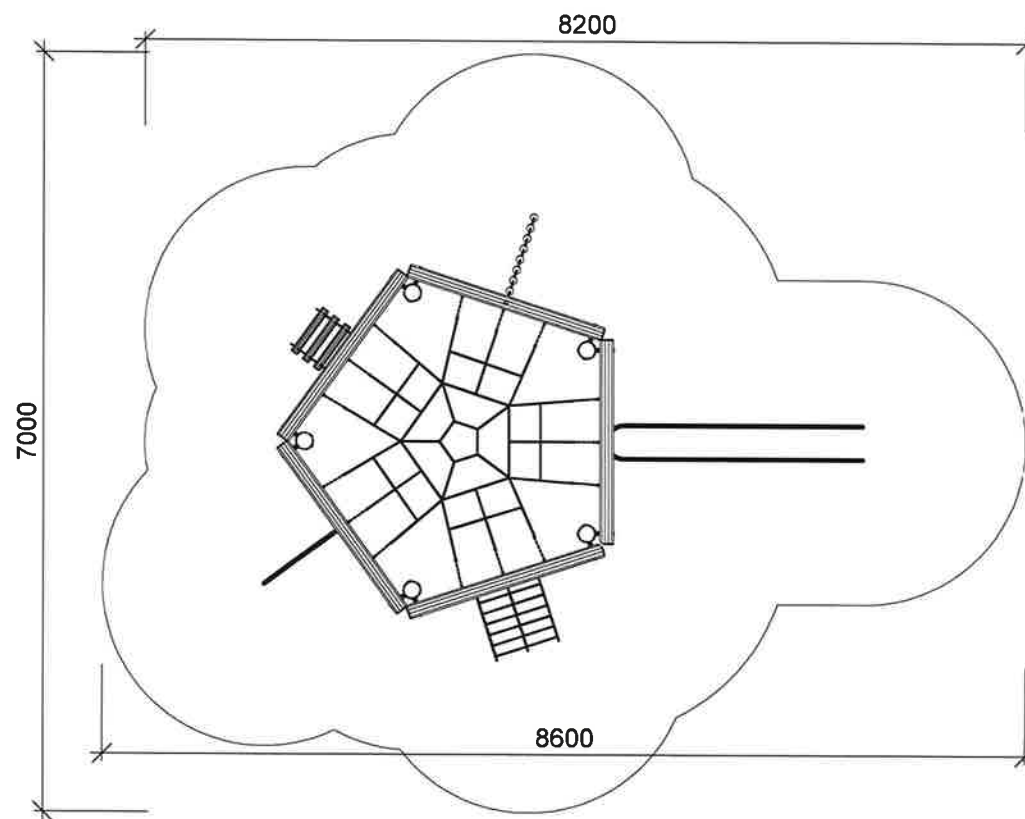
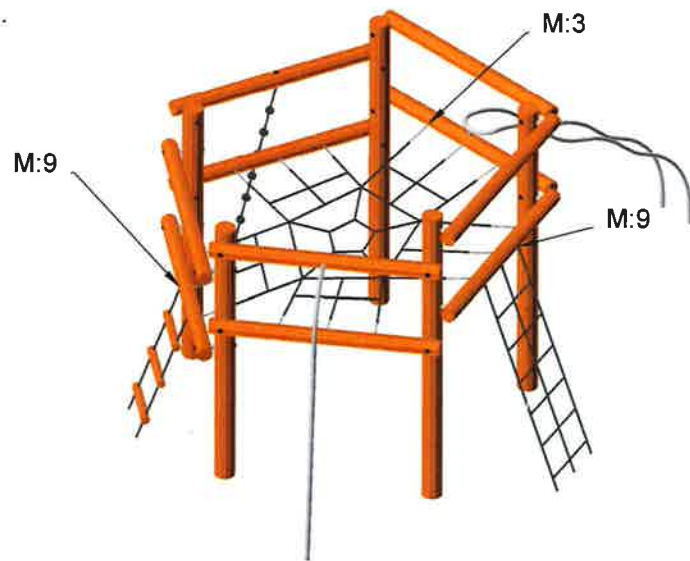
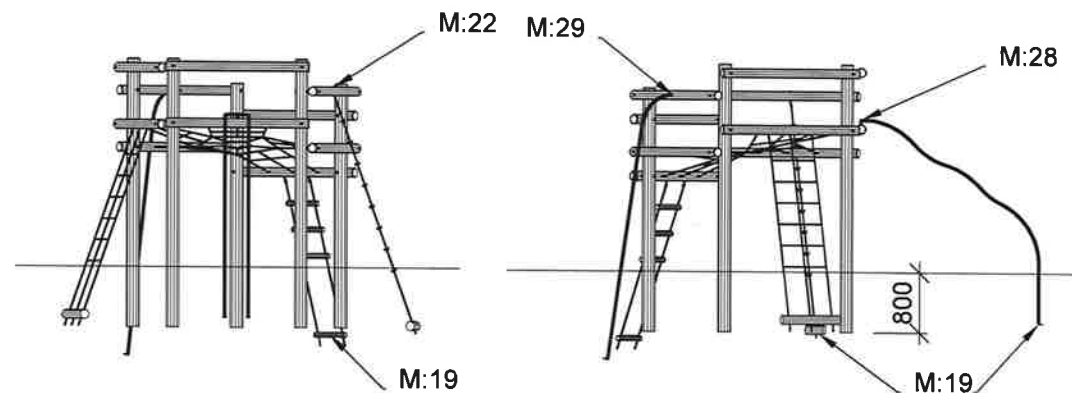
< 2000



≥ EN 1176

Mont.p. nr.

- 3
- 9
- 19
- 22
- 28
- 29



This drawing is the property of NORLEG and pursuant to current legislation may not be copied, transferred to or used by any third party. Should this drawing be used, a fee of 10% of the assumed contract price will be charged.

1:100