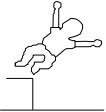
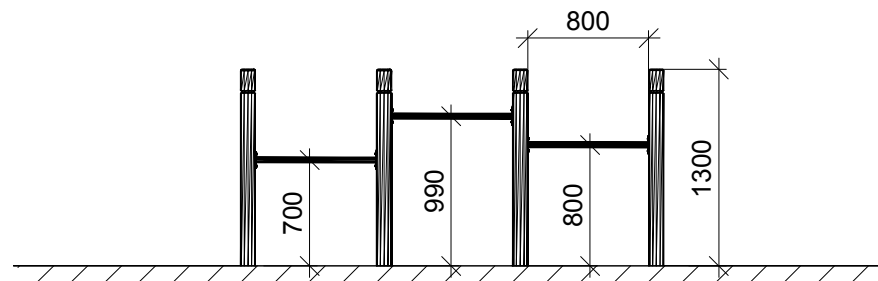
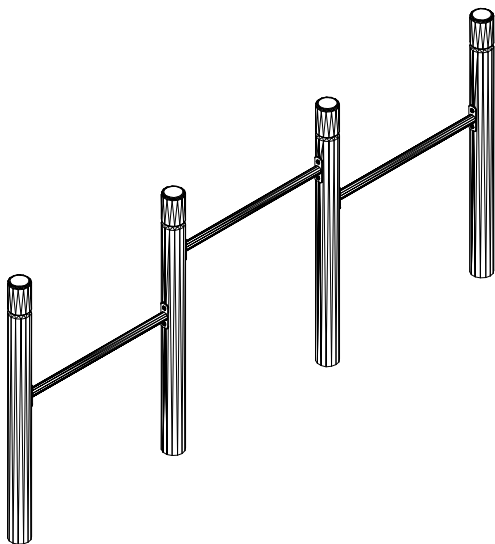


NORLEG	
Kolbøttestativ 3 fag	
N 3253	
07.12.2015	REV. -

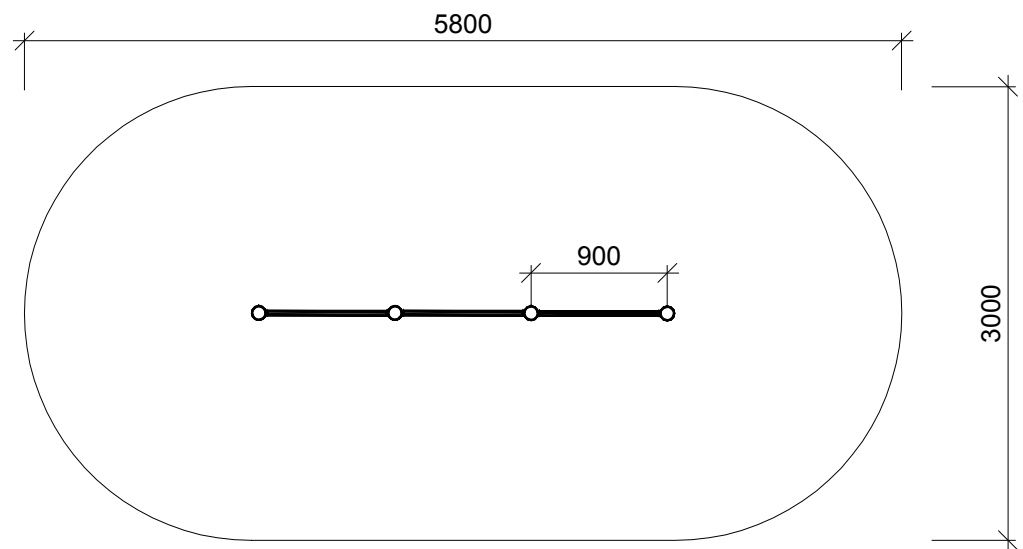
< 990



≥ EN 1176



1:50




1:50

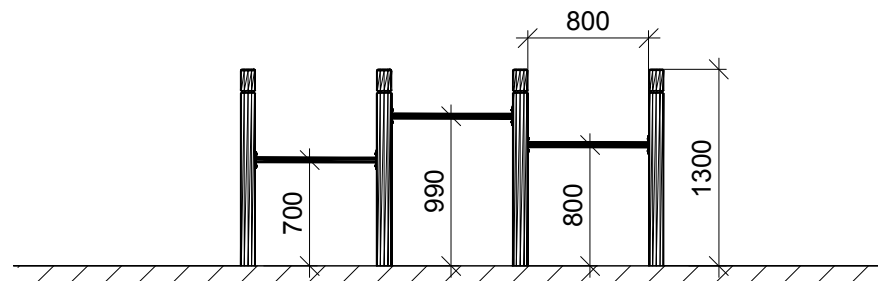
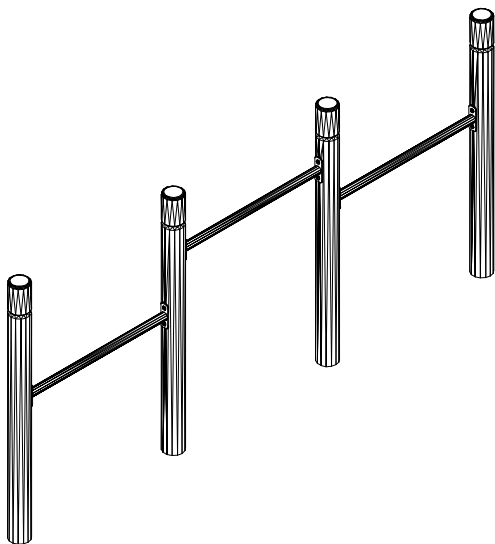
This drawing is the property of NORLEG and pursuant to current legislation may not be copied, transferred to or used by any third party. Should this drawing be used, a fee of 10% of the assumed contract price will be charged.

NORLEG	
Kolbøttestativ 3 fag	
N 3253	
07.12.2015	REV. -

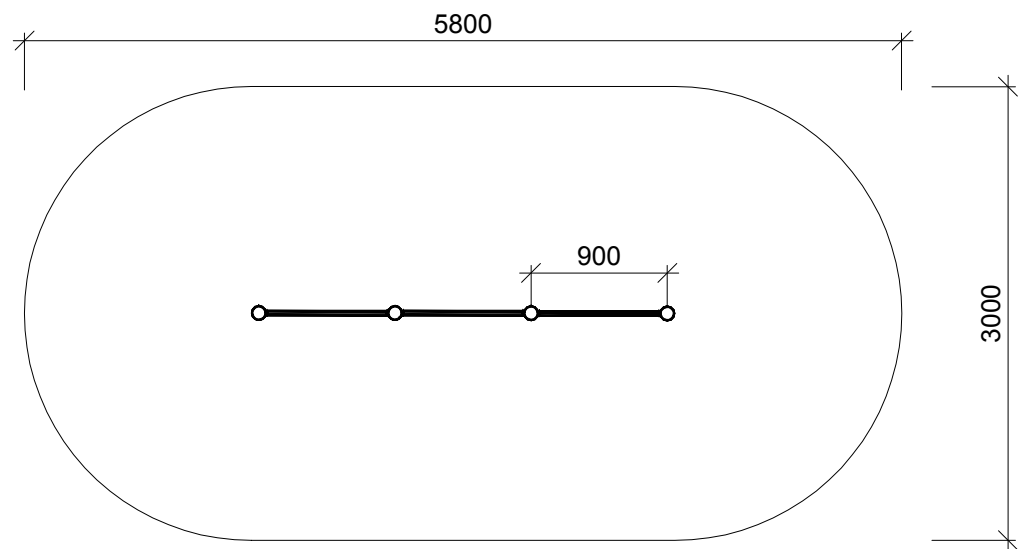
< 990



≥ EN 1176



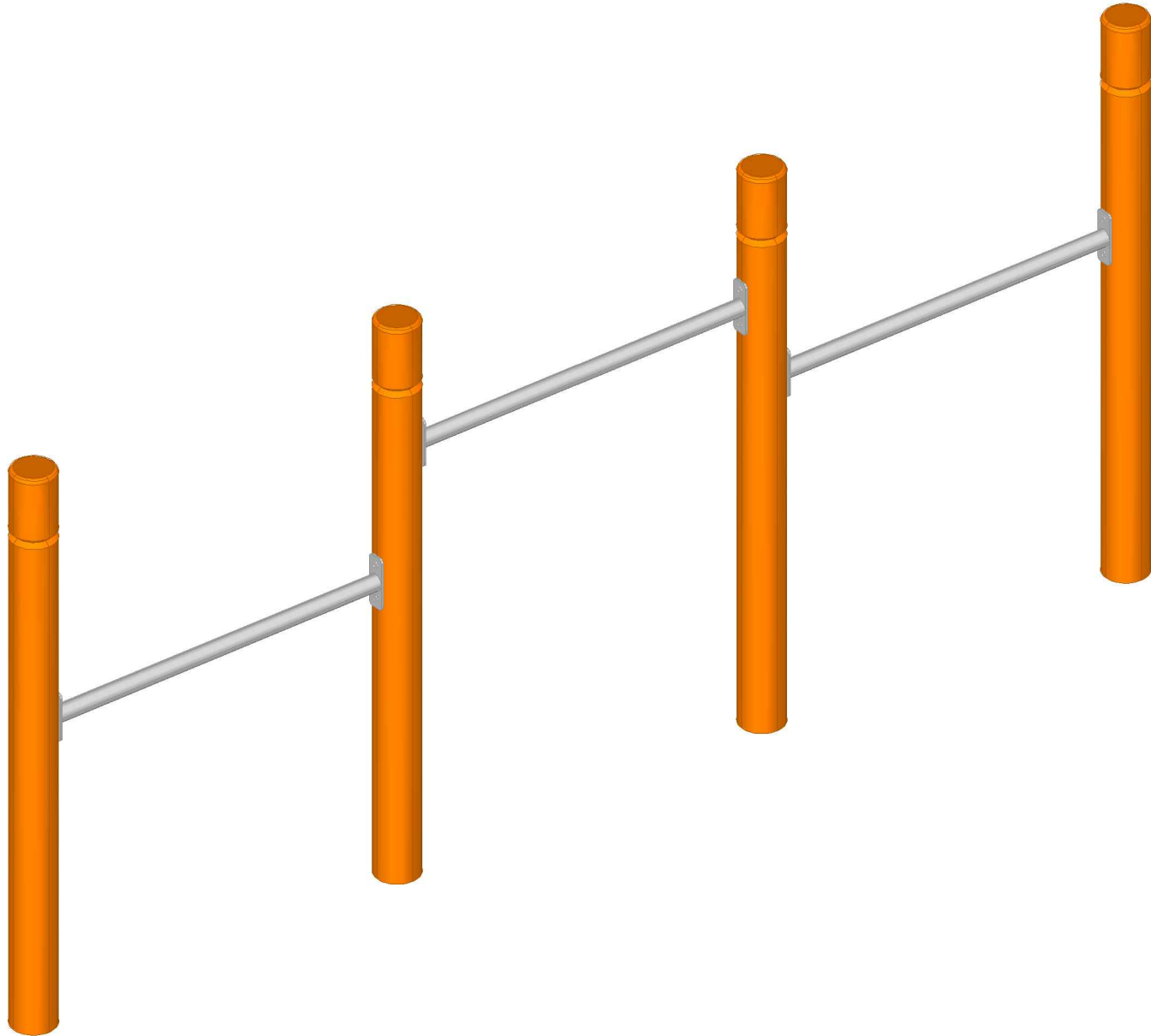
1:50



1:50

This drawing is the property of NORLEG and pursuant to current legislation may not be copied, transferred to or used by any third party. Should this drawing be used, a fee of 10% of the assumed contract price will be charged.

NORLEG - 3D	
Kolbøttestativ 3 fag	
N 3253	
07.12.2015	REV. -



This drawing is the property of NORLEG and pursuant to current legislation may not be copied, transferred to or used by any third party. Should this drawing be used, a fee of 10% of the assumed contract price will be charged.

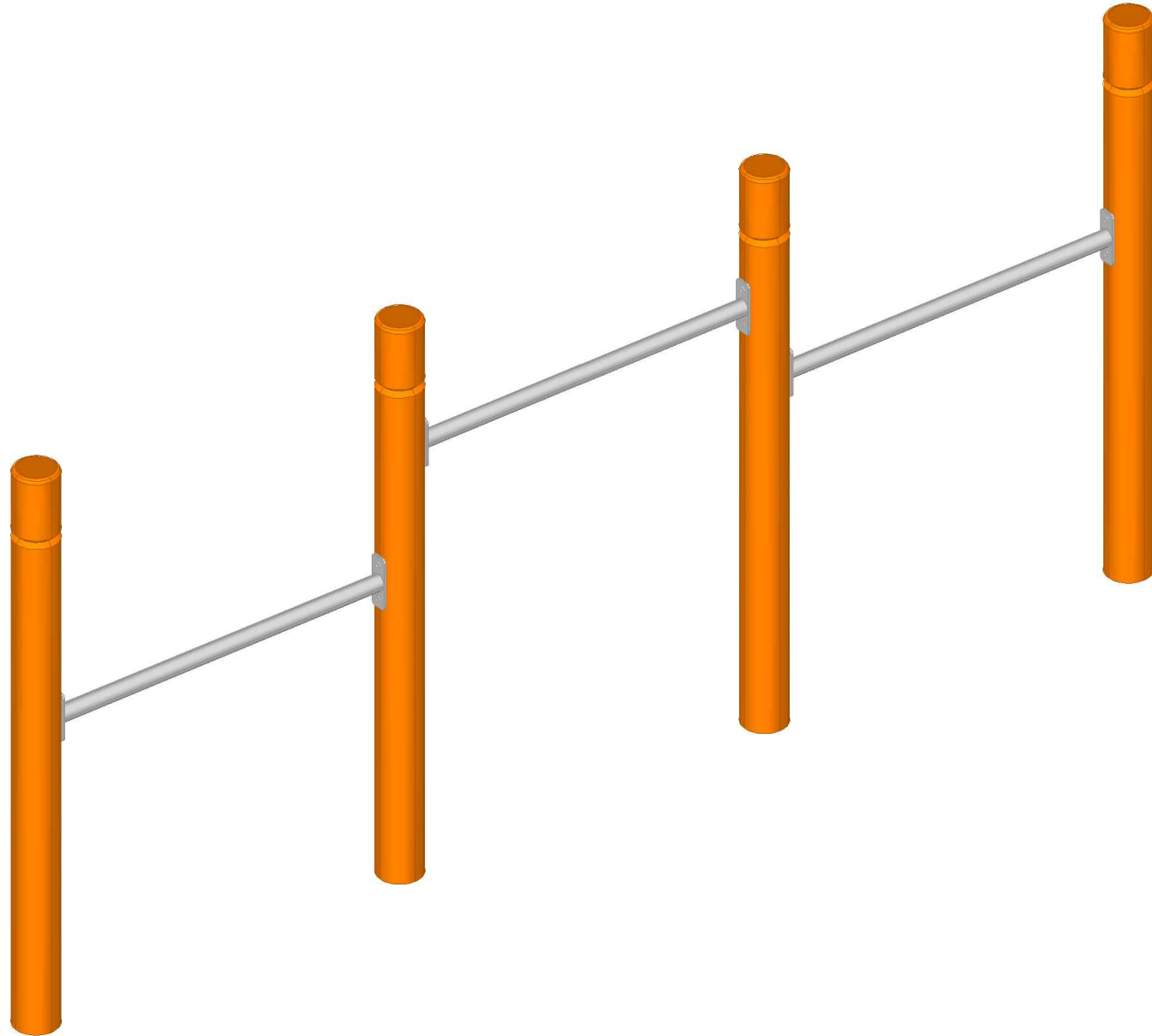
NORLEG - 3D

Kolbøttestativ 3 fag

N 3253


07.12.2015

REV. -



NORLEG - Mont.	
Kolbøttestativ 3 fag	
N 3253	
07.12.2015	REV. -

< 990

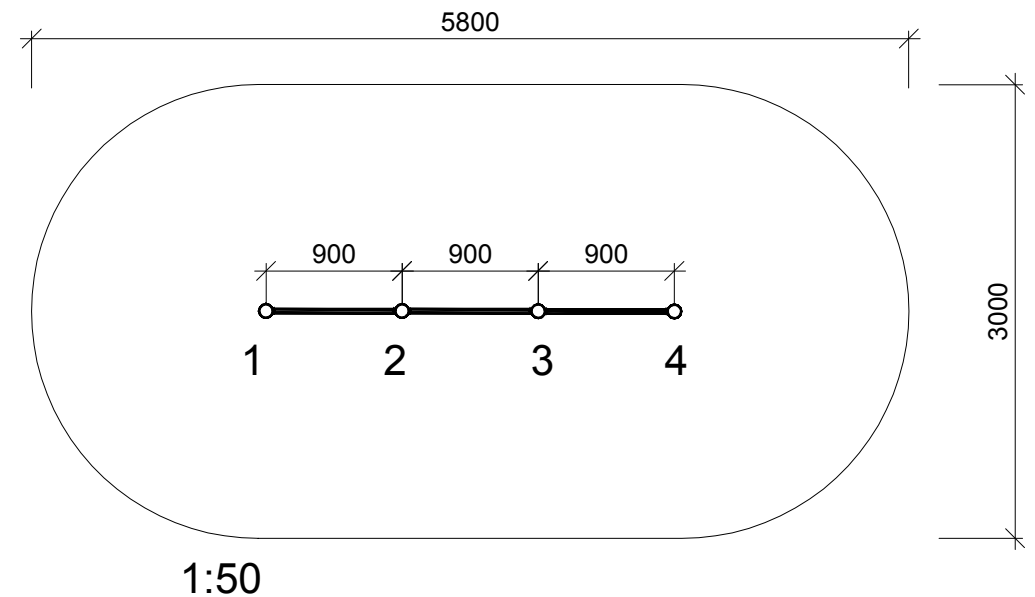
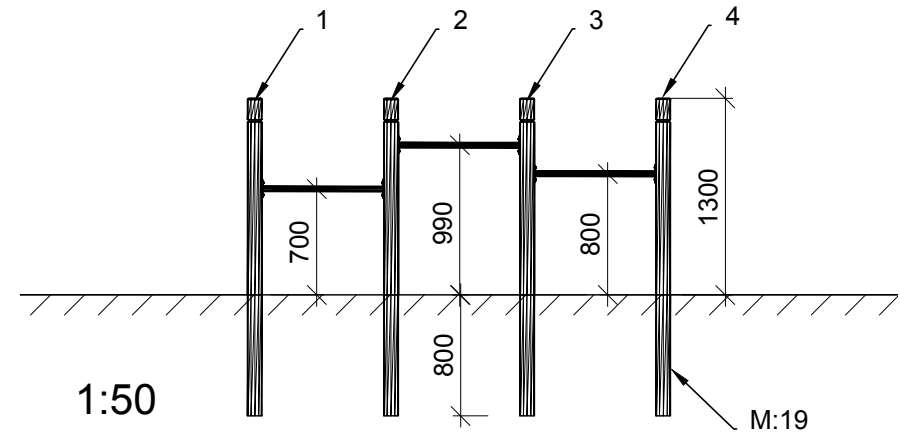
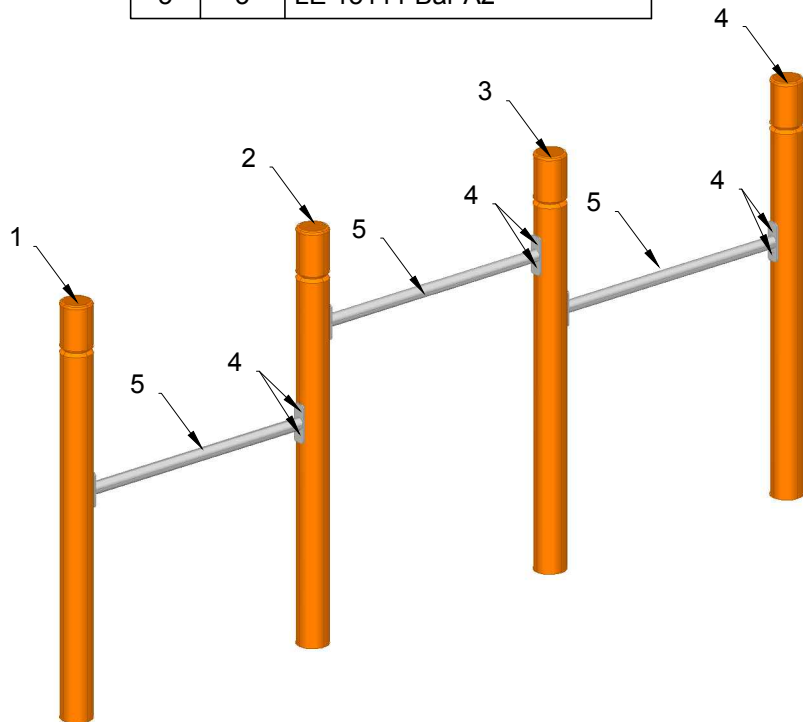


≥ EN 1176

Mont.p. nr.

19

Parts list		
Mrk.	QTY	Part.no
1	1	100-120-2100-z
2	1	100-120-2100-z
3	1	100-120-2100-z
4	1	100-120-2100-z
4	12	LE 16322 8x80 Tx40 A2
5	3	LE 15111 Bar A2



This drawing is the property of NORLEG and pursuant to current legislation may not be copied, transferred to or used by any third party. Should this drawing be used, a fee of 10% of the assumed contract price will be charged.