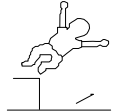
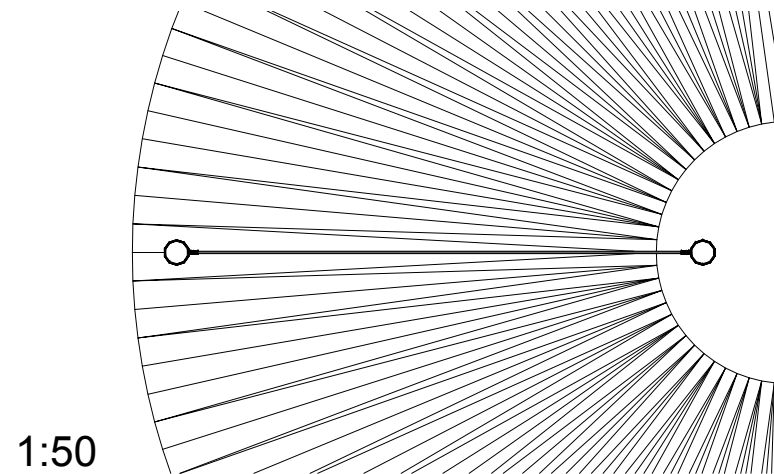
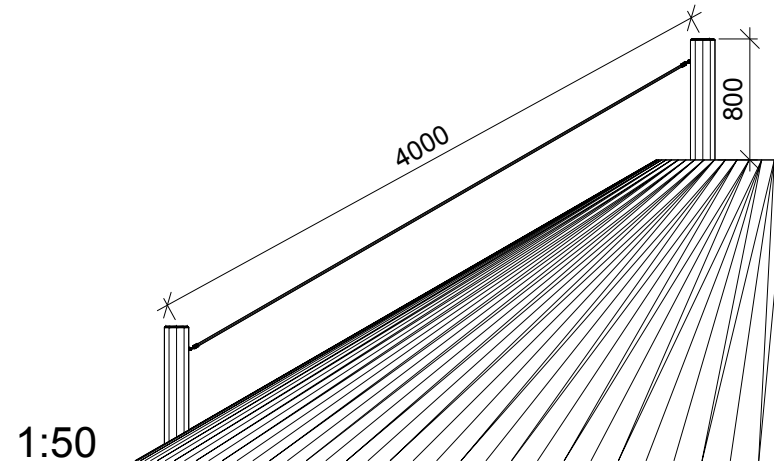
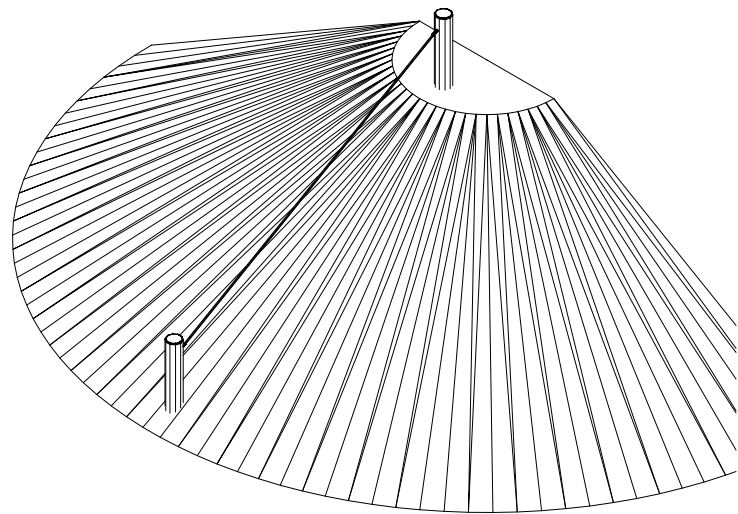


NORLEG	
Tovopgang 400 cm	
LE 20915	
29.10.2009	REV. -

< 600



≥ EN 1176



This drawing is the property of NORLEG and pursuant to current legislation may not be copied, transferred to or used by any third party. Should this drawing be used, a fee of 10% of the assumed contract price will be charged.

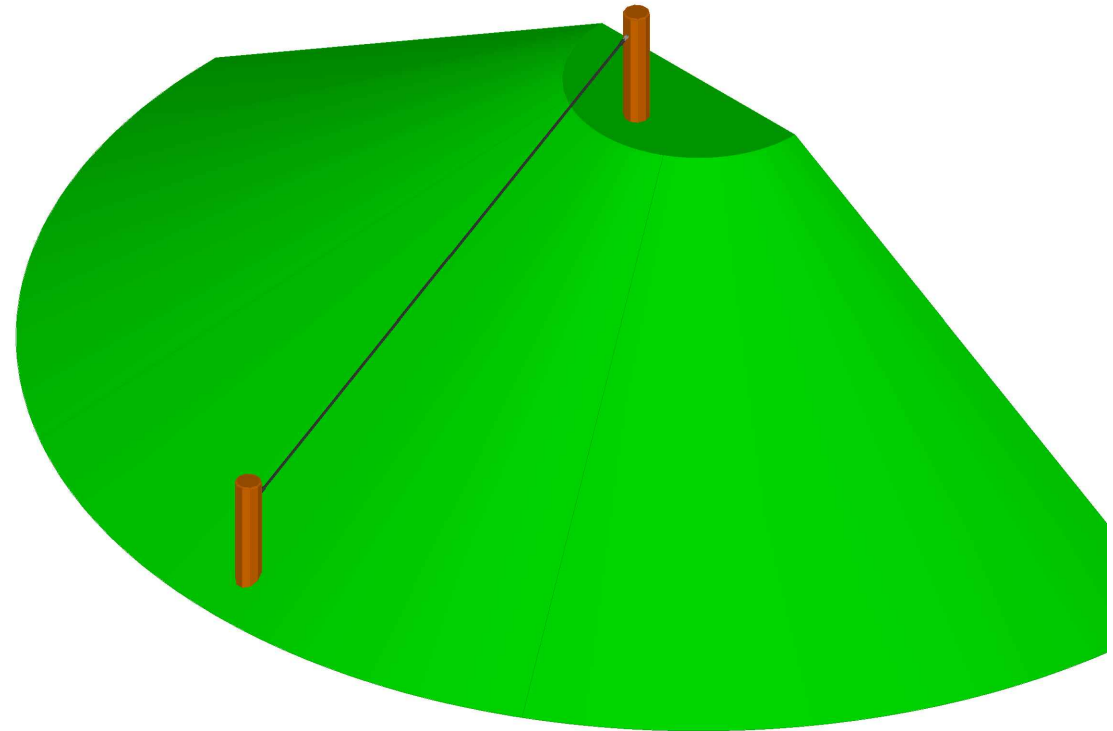
NORLEG - 3D

Tovopgang 400 cm

LE 20915


29.10.2009

REV. -



NORLEG - Mont.	
Tovopgang 400 cm	
LE 20915	
29.10.2009	REV. -

< 600

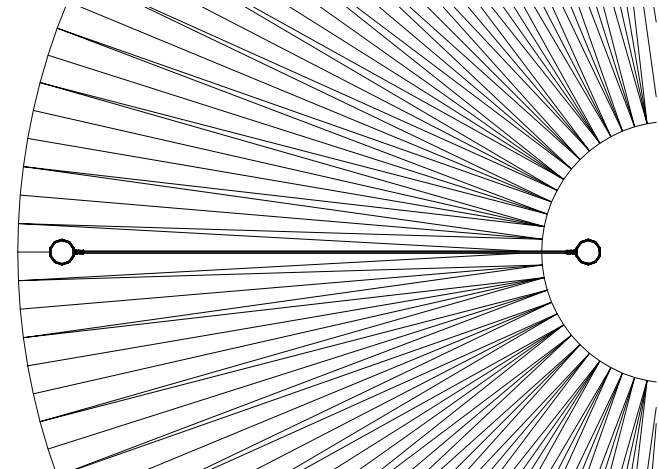
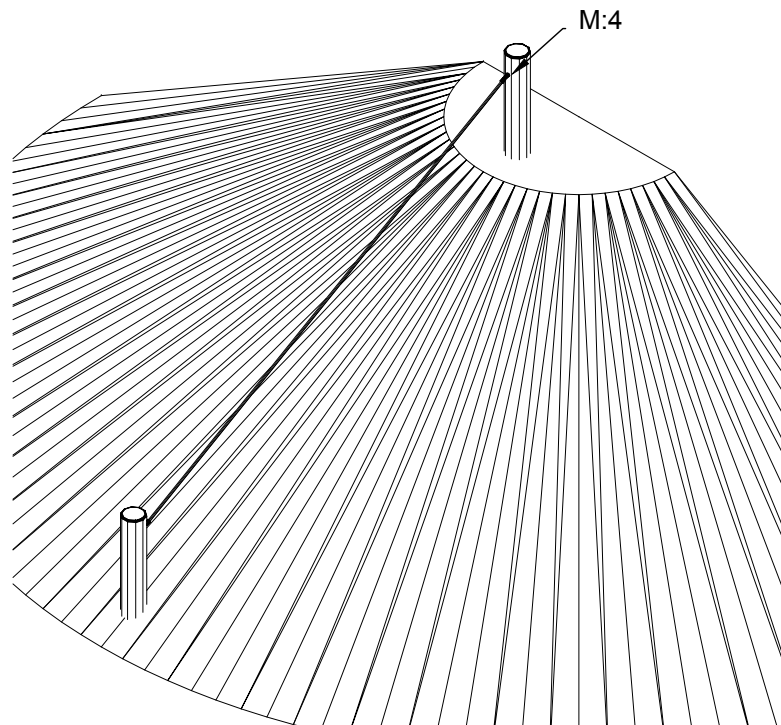
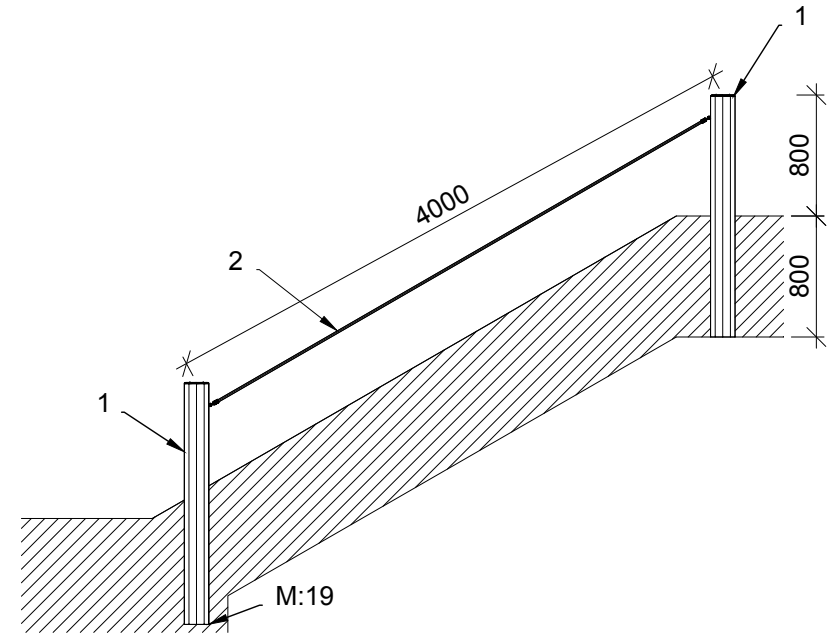


≥ EN 1176

Mont.p. nr.

4
19

Parts list		
Mrk.	QTY	Part.no
1	2	160-180-1600
2	1	LE26015



This drawing is the property of NORLEG and pursuant to current legislation may not be copied, transferred to or used by any third party. Should this drawing be used, a fee of 10% of the assumed contract price will be charged.

1:50