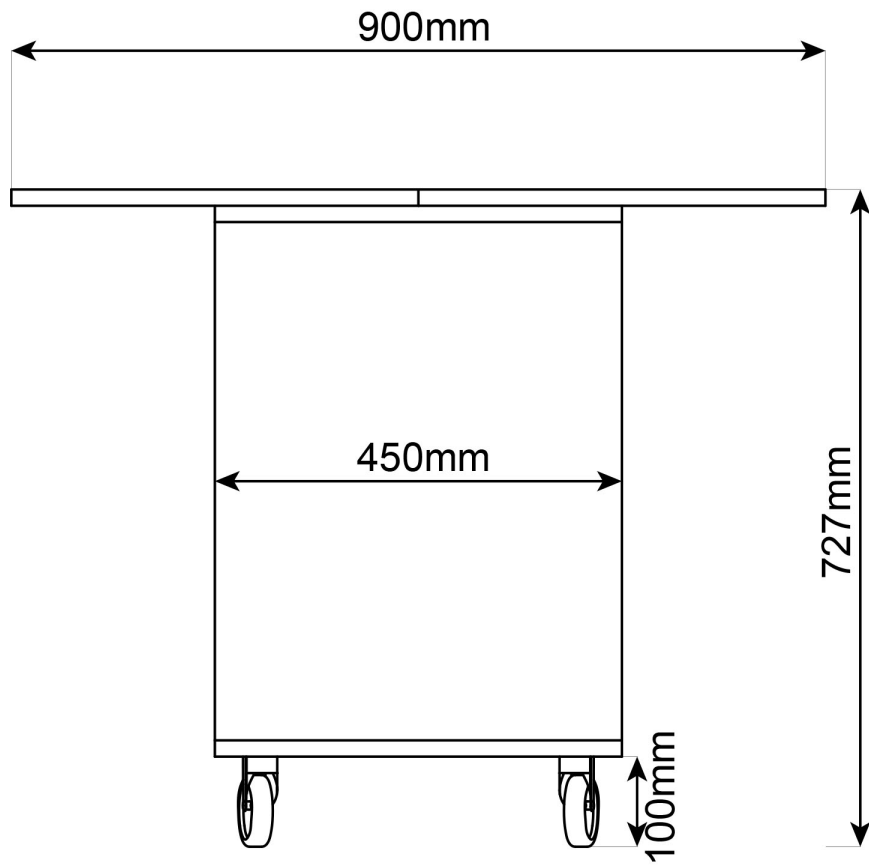


A - A



← A

