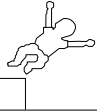
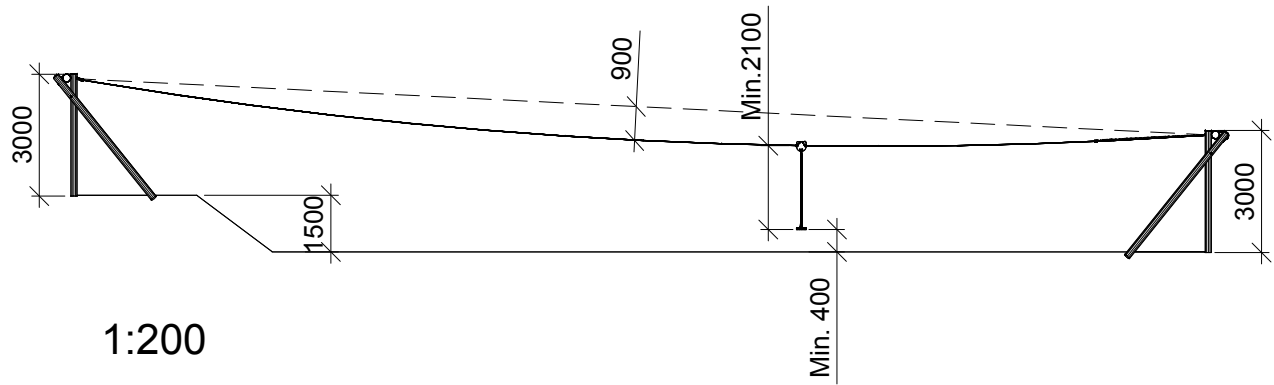
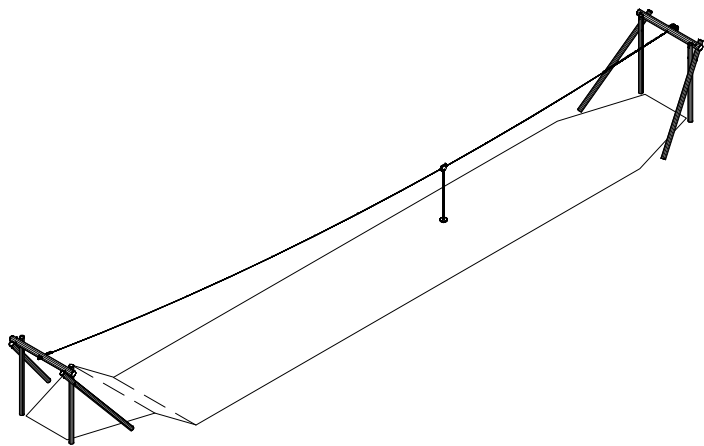


NORLEG	
Robinia svævebane 30 m	
LE 20290	
07.03.2006	REV.

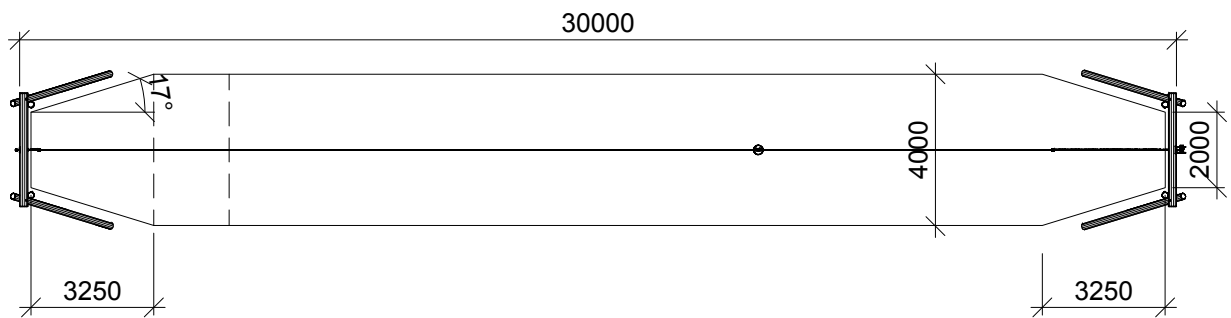
< 2000



≥ EN 1176



1:200



1:200

This drawing is the property of NORLEG and pursuant to current legislation may not be copied, transferred to or used by any third party. Should this drawing be used, a fee of 10% of the assumed contract price will be charged.

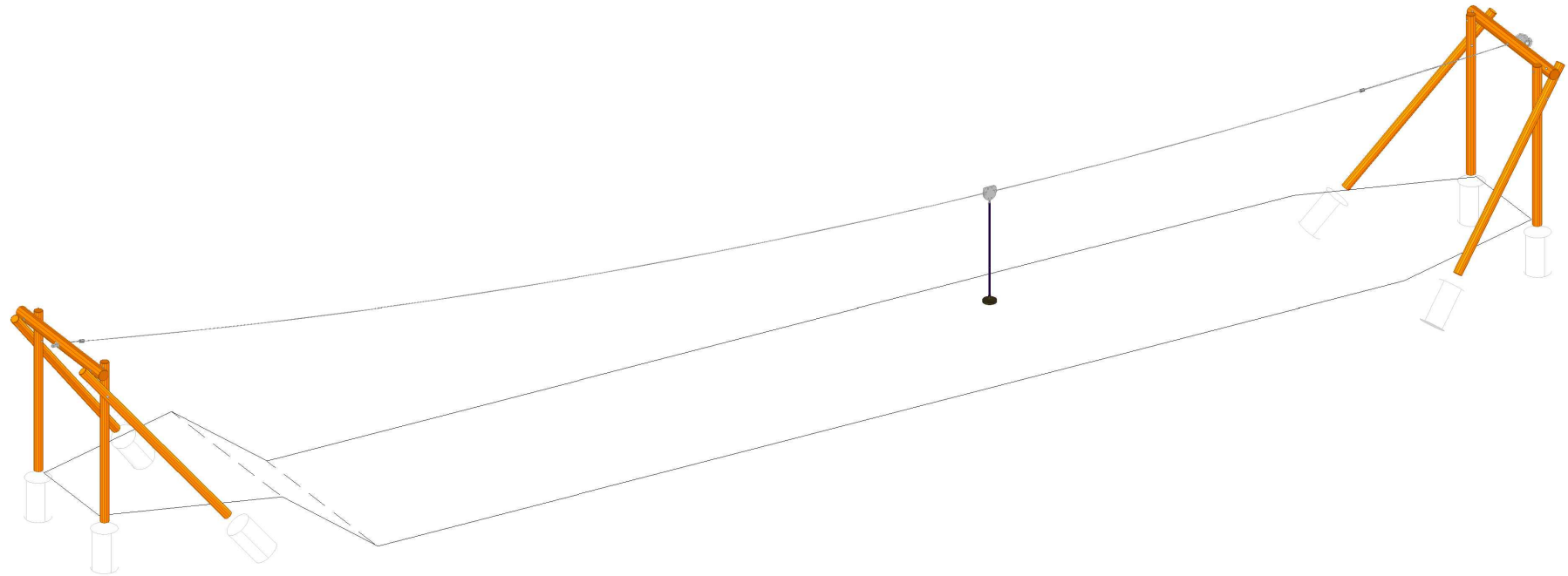
NORLEG - 3D

Robinia svævebane 30 m

LE 20290

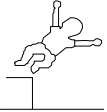
07.03.2006

REV.

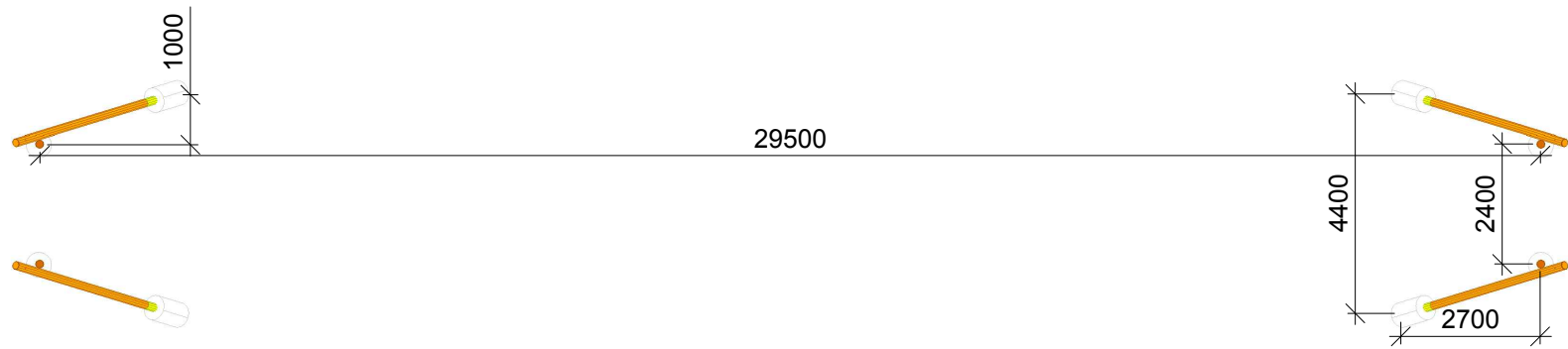


NORLEG - Mont.	
Robinia svævebane 30 m	
LE 20290	
07.03.2006	REV.

< 2000




≥ EN 1176



1:150

NORLEG - Mont.	
Robinia svævebane 30 m	
LE 20290	
07.03.2006	REV.

< 2000

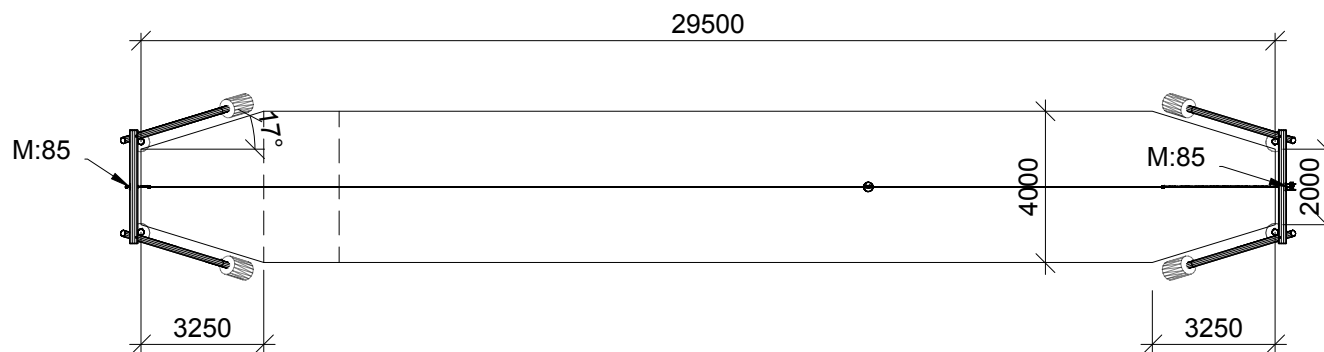
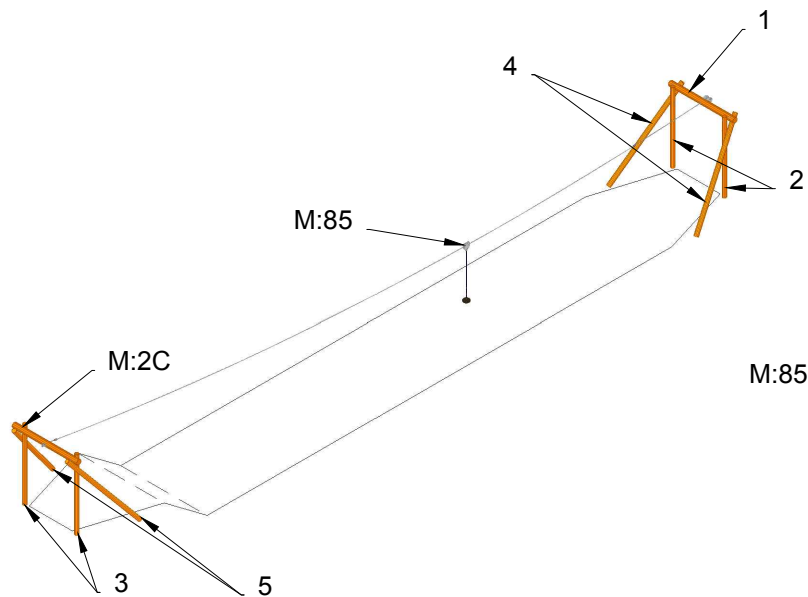
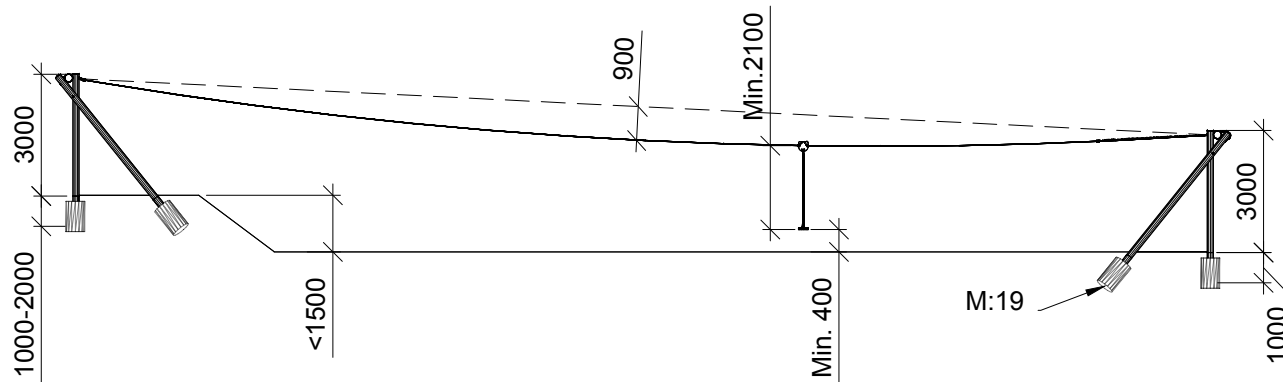


≥ EN 1176

Mont.p. nr.

2C
19
85

Parts list		
Mrk.	QTY	Part.no
1	2	200-240-3000
2	2	160-180-4000
3	2	160-180-5000
4	2	160-180-5000
5	2	160-180-6000



1:200