
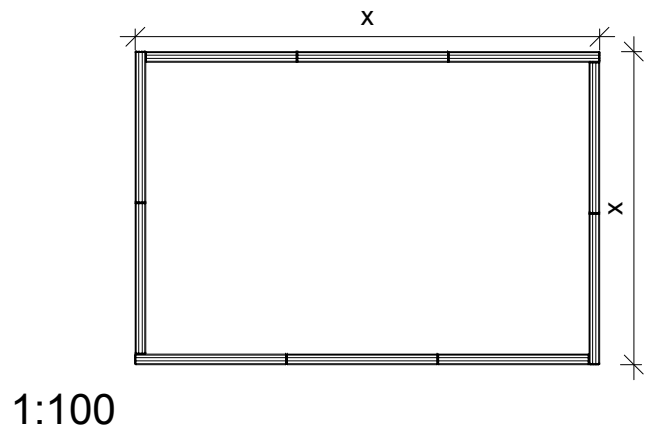
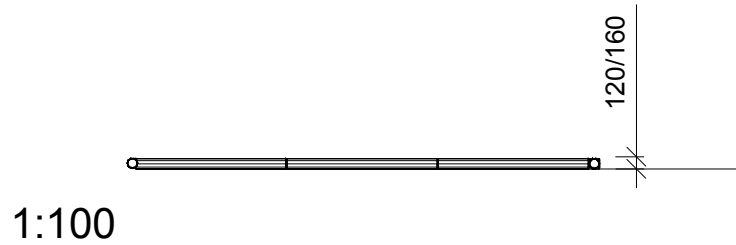
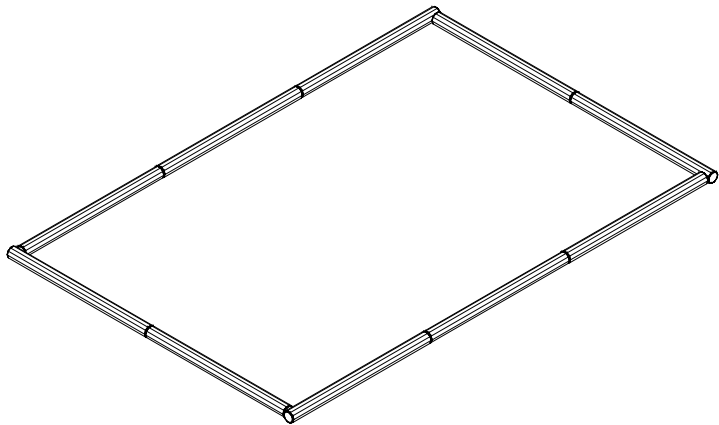


NORLEG	
Robinia Kantbegrænsning	
LE 20508	
21.08.2006	REV. -

< 600



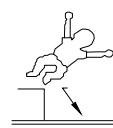
≥ EN 1176



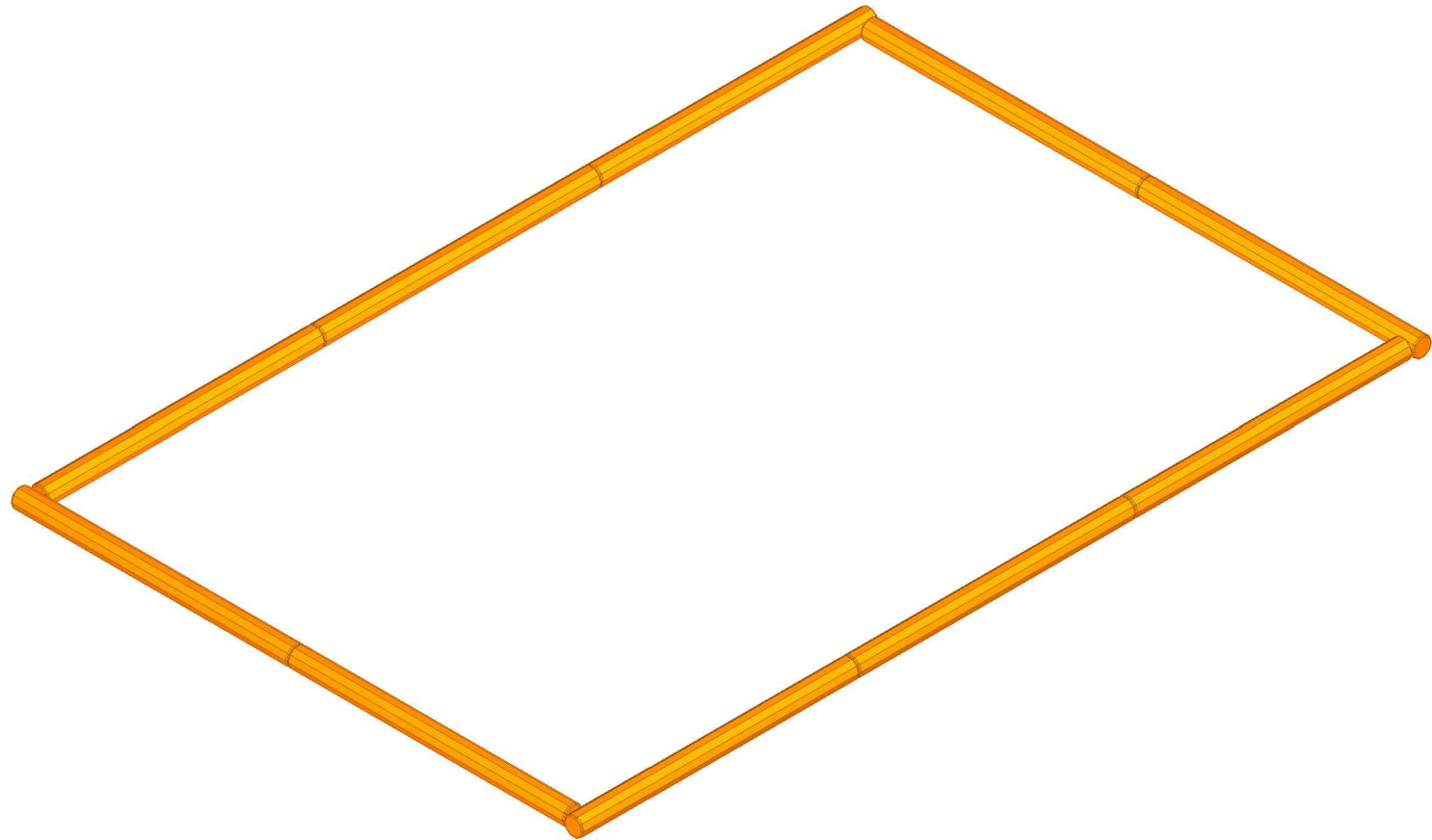
This drawing is the property of NORLEG and pursuant to current legislation may not be copied, transferred to or used by any third party. Should this drawing be used, a fee of 10% of the assumed contract price will be charged.

NORLEG	
Robinia Kantbegrænsning	
LE 20508	
21.08.2006	REV. -

< 600

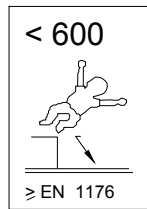


≥ EN 1176



This drawing is the property of NORLEG and pursuant to current legislation may not be copied, transferred to or used by any third party. Should this drawing be used, a fee of 10% of the assumed contract price will be charged.

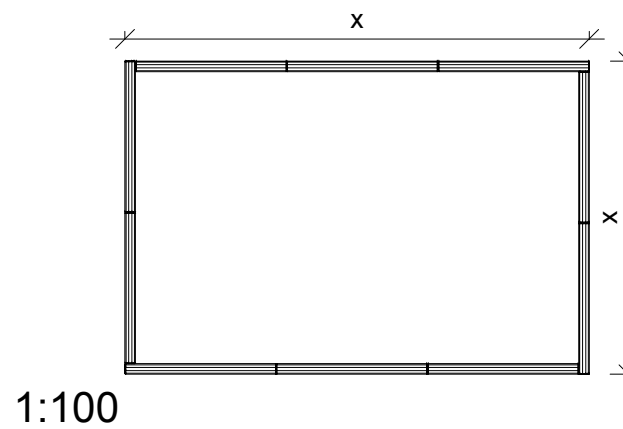
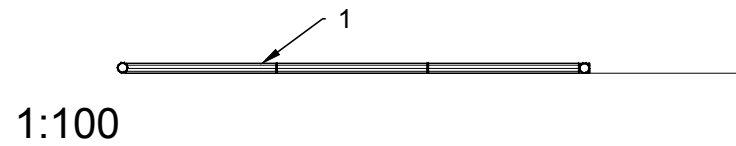
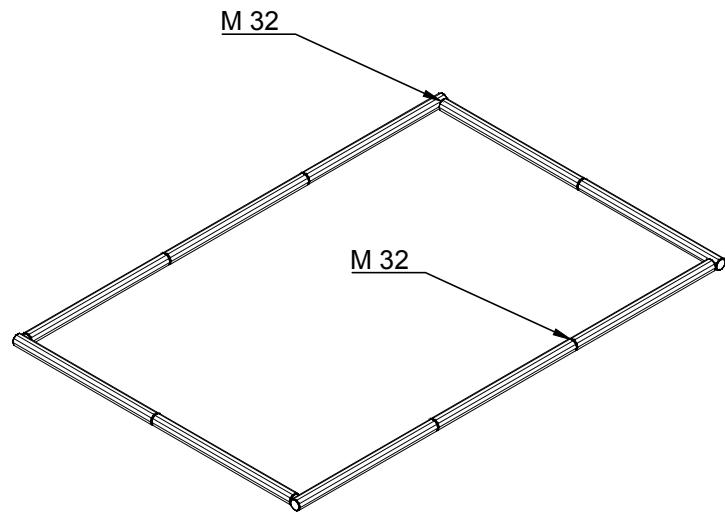
NORLEG - mont.	
Robinia Kantbegrænsning	
LE 20508	
21.08.2006	REV. -



Mont.p. nr.

32

Robinia		
Mrk.	QTY	Part.no
1	x	120-160-2000



This drawing is the property of NORLEG and pursuant to current legislation may not be copied, transferred to or used by any third party. Should this drawing be used, a fee of 10% of the assumed contract price will be charged.